

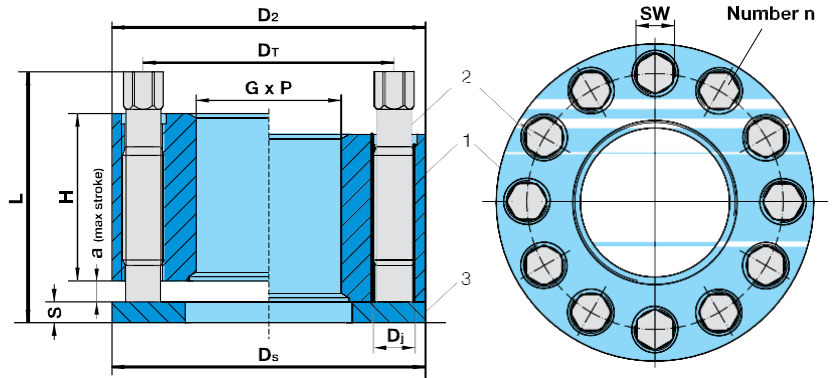
Bolt Stud Nut Base version (BT)

Torque Axial Bolt Tensioning

Base version (BT)

Serie BT progettata per applicazioni con carichi assiali standard

- Corpo dado (1)
- Viti compressione (2)
- Anello (3)



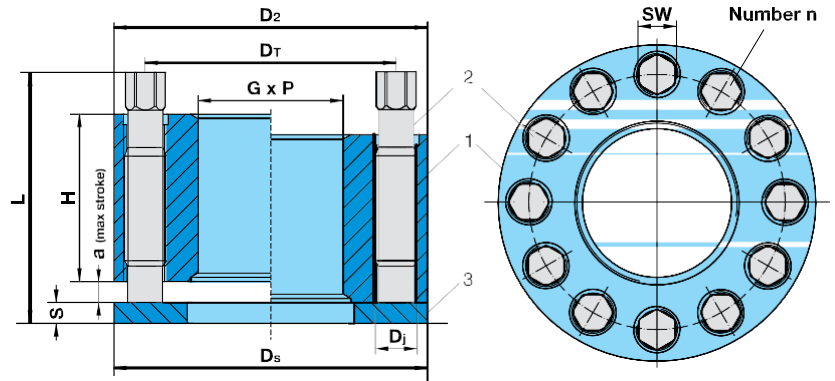
Descrizione	Corpo dado				Viti compressione				Anello		Altezza totale L mm	Precarico	
	G x P mm	D2 mm	H mm	DT mm	Dj mm	n	SW mm	a mm	Ds mm	S mm		Fnom kN	Fmax kN
PBN-BT/M16x2	M16 x 2	34	16	25	M6 x 0.75	4	5	6	32	3	33	73	94
PBN-BT/M20x2.5	M20 x 2.5	38	16	29	M6 x 0.75	6	5	6	38	4	34	110	140
PBN-BT/M22x2.5	M22 x 2.5	41	16	31	M6 x 0.75	6	5	6	41	4	34	110	140
PBN-BT/M24x3	M24 x 3	44	16	33	M6 x 0.75	8	5	6	43	4	34	145	187
PBN-BT/M27x3	M27 x 3	50	24	39	M8 x 1	6	6	6	50	5	45	214	285
PBN-BT/M30x3.5	M30 x 3.5	53	24	42	M8 x 1	6	6	6	53	5	45	214	285
PBN-BT/M33x3.5	M33 x 3.5	59	24	45	M8 x 1	8	6	6	59	5	45	285	380
PBN-BT/M36x4	M36 x 4	66	32	51	M10 x 1.25	6	8	8	66	5	58	343	457
PBN-BT/M39x4	M39 x 4	70	32	54	M10 x 1.25	8	8	8	70	5	58	457	610
PBN-BT/M42x4.5	M42 x 4.5	75	32	57	M10 x 1.25	8	8	8	73	5	58	457	610
PBN-BT/M45x4.5	M45 x 4.5	83	38	63	M12 x 1.25	8	10	10	81	6	68	700	935
PBN-BT/M48x5	M48 x 5	85	38	66	M12 x 1.25	8	10	10	85	6	68	700	935
PBN-BT/M52x5	M52 x 5	91	38	70	M12 x 1.25	8	10	10	90	6	68	700	935
PBN-BT/M56x5.5	M56 x 5.5	98	38	74	M12 x 1.25	10	10	10	94	6	68	875	1160
PBN-BT/M60x5.5	M60 x 5.5	102	38	78	M12 x 1.25	10	10	10	100	6	68	875	1160
PBN-BT/M64x6	M64 x 6	113	53	87	M16 x 1.5	8	14	12	112	8	92	1270	1690
PBN-BT/M68x6	M68 x 6	117	53	91	M16 x 1.5	8	14	12	117	8	92	1270	1690
PBN-BT/M72x6	M72 x 6	120	56	95	M16 x 1.5	8	14	9	120	8	92	1270	1690
PBN-BT/M76x6	M76 x 6	132	56	100	M16 x 1.5	12	14	9	127	8	92	1900	2530
PBN-BT/M80x6	M80 x 6	132	56	103	M16 x 1.5	12	14	9	127	8	92	1900	2530
PBN-BT/M85x6	M85 x 6	137	56	108	M16 x 1.5	12	14	9	137	8	92	1900	2530
PBN-BT/M90x6	M90 x 6	145	59	113	M16 x 1.5	16	14	13	137	8	99	2530	3380
PBN-BT/M100x6	M100 x 6	157	61	123	M16 x 1.5	16	14	11	151	10	101	2530	3380
PBN-BT/M110x6	M110 x 6	177	79	139	M20 x 1.5	12	17	16	172	10	125	3150	4200
PBN-BT/M120x6	M120 x 6	189	81	149	M20 x 1.5	16	17	14	179	10	125	4200	5600
PBN-BT/M125x6	M125 x 6	194	81	154	M20 x 1.5	16	17	14	190	10	125	4200	5600
PBN-BT/M130x6	M130 x 6	205	94	159	M20 x 1.5	18	17	16	202	10	140	4700	6300
PBN-BT/M140x6	M140 x 6	215	94	169	M20 x 1.5	20	17	16	215	10	140	5250	7000
PBN-BT/M150x6	M150 x 6	225	94	179	M20 x 1.5	20	17	16	225	12	142	5250	7000
PBN-BT/M160x6	M160 x 6	234	107	189	M20 x 1.5	24	17	23	234	12	162	6300	8400

Bolt Stud Nut High-force version (HF) Torque Axial Bolt Tensioning

High-force version (HF)

Serie HF progettata con materiali ad elevata resistenza per carichi assiali elevati

- Corpo dado (1)
- Viti compressione (2)
- Anello (3)



Descrizione	Corpo dado				Viti compressione				Anello		Altezza totale L mm	Pretensioning force	
	G x P mm	D2 mm	H mm	DT mm	Dj mm	n	SW mm	a mm	Ds mm	S mm		Fnom kN	Fmax kN
PBN-HF/M16x2	M16 x 2	34	16	25	M6 x 0.75	6	5	6	32	3	33	110	140
PBN-HF/M20x2.5	M20 x 2.5	38	17	29	M6 x 0.75	8	5	5	38	4	34	145	185
PBN-HF/M22x2.5	M22 x 2.5	41	17	31	M6 x 0.75	8	5	5	41	4	34	145	185
PBN-HF/M24x3	M24 x 3	47	24	36	M8 x 1	6	6	6	47	4	44	215	285
PBN-HF/M27x3	M27 x 3	51	24	39	M8 x 1	8	6	6	50	5	45	285	380
PBN-HF/M30x3.5	M30 x 3.5	54	24	42	M8 x 1	8	6	6	53	5	45	285	380
PBN-HF/M33x3.5	M33 x 3.5	63	32	48	M10 x 1.25	8	8	8	63	5	58	455	610
PBN-HF/M36x4	M36 x 4	66	32	51	M10 x 1.25	8	8	8	66	5	58	455	610
PBN-HF/M39x4	M39 x 4	72	32	54	M10 x 1.25	10	8	8	70	5	58	570	760
PBN-HF/M42x4.5	M42 x 4.5	76	32	57	M10 x 1.25	12	8	8	73	5	58	685	915
PBN-HF/M45x4.5	M45 x 4.5	84	38	63	M12 x 1.25	10	10	10	81	6	68	875	1170
PBN-HF/M48x5	M48 x 5	85	38	66	M12 x 1.25	10	10	10	85	6	68	875	1170
PBN-HF/M52x5	M52 x 5	94	38	70	M12 x 1.25	12	10	10	90	6	68	1050	1400
PBN-HF/M56x5.5	M56 x 5.5	98	38	74	M12 x 1.25	12	10	10	94	6	68	1050	1400
PBN-HF/M60x5.5	M60 x 5.5	109	59	83	M16 x 1.5	10	14	13	106	8	99	1580	2100
PBN-HF/M64x6	M64 x 6	113	59	87	M16 x 1.5	10	14	13	112	8	99	1580	2100
PBN-HF/M68x6	M68 x 6	117	59	91	M16 x 1.5	12	14	13	117	8	99	1900	2530
PBN-HF/M72x6	M72 x 6	121	59	95	M16 x 1.5	12	14	13	120	8	99	1900	2530
PBN-HF/M76x6	M76 x 6	132	61	102	M16 x 1.5	16	14	11	127	8	99	2530	3370
PBN-HF/M80x6	M80 x 6	133	61	103	M16 x 1.5	16	14	11	127	8	99	2530	3370
PBN-HF/M85x6	M85 x 6	139	61	108	M16 x 1.5	16	14	11	137	8	99	2530	3370
PBN-HF/M90x6	M90 x 6	158	81	119	M20 x 1.5	12	17	14	151	10	125	3150	4200
PBN-HF/M100x6	M100 x 6	168	81	129	M20 x 1.5	14	17	14	160	10	125	3670	4900
PBN-HF/M110x6	M110 x 6	178	81	139	M20 x 1.5	16	17	14	172	10	125	4200	5600
PBN-HF/M120x6	M120 x 6	189	81	149	M20 x 1.5	18	17	14	179	10	125	4700	6300
PBN-HF/M125x6	M125 x 6	194	81	154	M20 x 1.5	18	17	14	190	10	125	4700	6300
PBN-HF/M130x6	M130 x 6	205	94	159	M20 x 1.5	20	17	16	202	10	140	5250	7000
PBN-HF/M140x6	M140 x 6	215	94	169	M20 x 1.5	22	17	16	215	10	140	5750	7700
PBN-HF/M150x6	M150 x 6	225	94	179	M20 x 1.5	22	17	16	225	12	142	5750	7700
PBN-HF/M160x6	M160 x 6	235	107	189	M20 x 1.5	24	17	23	234	12	162	6300	8400