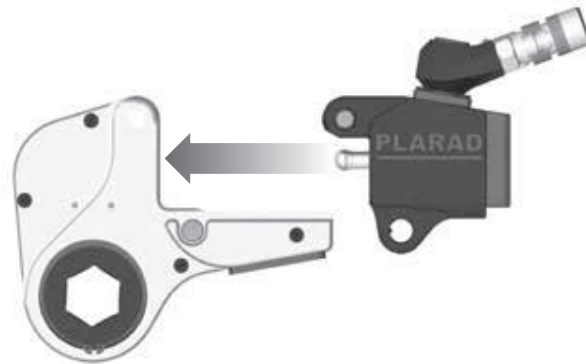


Hydraulische Drehmomentschrauber FSX

Hydraulic Torque Wrenches FSX

FSX = Ratschenkopf (HSX) + Antriebseinheit (SX)
Ratchet head (HSX) + Drive unit (SX)



Ratschenkopf/Ratchet head

Ratschenkopf
ratchet head

Max. SW (mm)
max. A/F (mm)

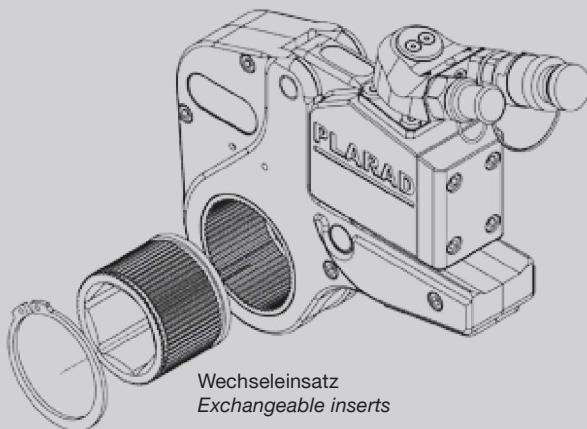
HSX 550 F

Für Antrieb Leistungsklasse 5
for drive unit performance-class 5

Fix:
Fester Einsatz
fixed insert

Wechseleinsatz
Exchangeable inserts

HSX 550 W



Antriebseinheit/Drive unit

Antriebseinheit
drive unit

hinten:
Anschluss hinten
connection at the back

SX 2 MF-H

Leistungsklasse
performance-class

Fix:
starrer Anschluss
fixed hose connection

Mono:
Einschlauch-
Variante
single hose

oben:
Anschluss oben
connection on top

SX 2 MS-O

Swivel:
360° drehbarer Anschluss
360° turnable hose connection

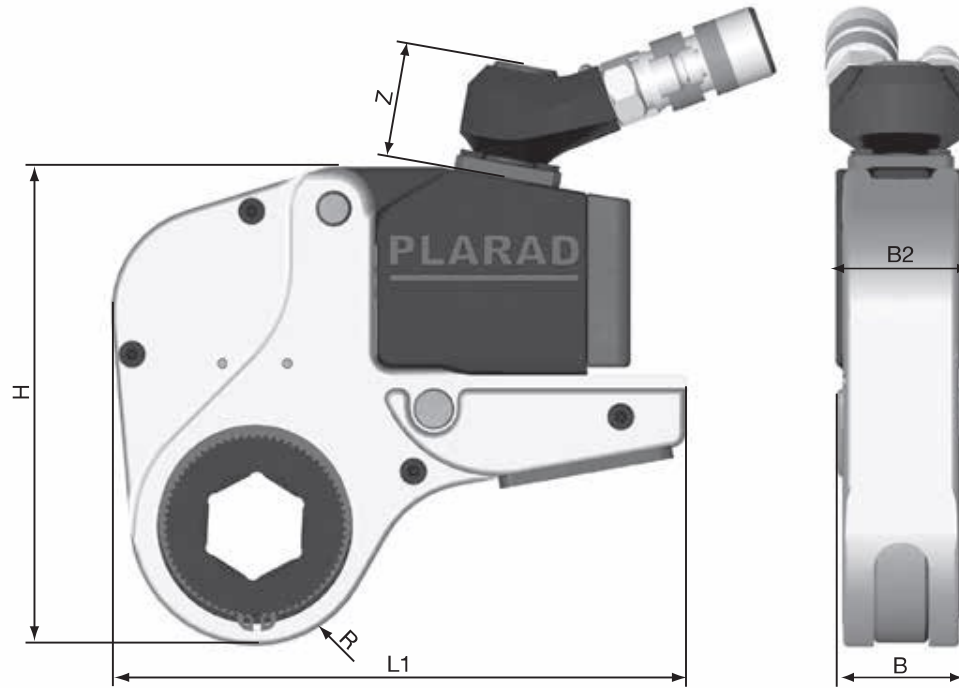
Economy

Twin:
Zweischlauch-Variante
twin hose version

SX-EC 2 TS

konventionelle Baureihe
conventional series

SX 20 TST



SX - EC 1

Antriebseinheit Drive unit	Code Nr. Code no.	Leistungsbereich Performance range (Nm)	B2 (mm)	Gewicht Weight (kg)
SX - EC 1 TF	G52-010-0-01214	100 - 1 000	32	0,7
SX - 1 MFT	G52-010-0-00114	100 - 1 000	42	1,0

Ratschenkopf Ratchet head	Code Nr. Code no.	SW (mm) A/F (mm)	L1 (mm)	B (mm)	H (mm)	Z (mm)	R (mm)	MT _{max} (Nm)	Gewicht Weight (kg)
HSX 124 F	G51-010-0-00420	24	149	32,5	109	40	21,5	800	0,6
HSX 127 F	G51-010-0-00120	27	149	32,5	111	40	24,0	800	0,7
HSX 136 F	G51-010-0-00320	36	149	32,5	116	40	29,5	1 000	0,8
HSX 141 F	G51-010-0-00220	41	149	32,5	119	40	32,0	1 000	0,9

SX - EC 2

Antriebseinheit Drive unit	Code Nr. Code no.	Leistungsbereich Performance range (Nm)	B2 (mm)	Gewicht Weight (kg)
SX - EC 2 TS	G52-025-0-00840	250 - 2 500	41,0	1,3
SX - EC 2 MS-O	G52-025-0-00740	250 - 2 500	39,5	1,0
SX - EC 2 MS-H	G52-025-0-00340	250 - 2 500	39,5	1,0
SX - EC 2 MF	G52-025-0-00440	250 - 2 500	39,5	0,8

Ratschenkopf Ratchet head	Code Nr. Code no.	SW (mm) A/F (mm)	L1 (mm)	B (mm)	H (mm)	Z (mm)	R (mm)	MT _{max} (Nm)	Gewicht Weight (kg)
HSX 224 F	G51-025-0-00125	24	173	34,5	124,5	40	21,5	750	1,25
HSX 230 F	G51-025-0-00225	30	173	34,5	128,5	40	25,5	1 050	1,25
HSX 232 F	G51-025-0-00325	32	173	34,5	130,5	40	27,5	1 250	1,35
HSX 236 F	G51-025-0-00425	36	173	34,5	133,5	40	30,0	1 500	1,35
HSX 241 F	G51-025-0-00525	41	173	34,5	137,0	40	34,0	2 000	1,45
HSX 246 F	G51-025-0-00725	46	173	34,5	141,0	40	38,0	2 350	1,45
HSX 250 F	G51-025-0-00825	50	173	34,5	143,5	40	40,0	2 500	1,45
HSX 255 F	G51-025-0-00121	55	173	34,5	146,5	40	43,5	2 500	1,45
HSX 260 F	G51-025-0-01025	60	175	34,5	153,5	40	45,5	2 500	1,50
HSX 265 F	G51-025-0-00810	65	179	34,5	158,5	40	48,0	2 500	1,55
HSX 270 F	G51-025-0-05710	70	180	34,5	163,0	40	53,0	2 500	1,75

Ratschenkopf <i>Ratchet head</i>	Sechskanteinsatz <i>Hexagon key insert</i>	Code Nr. <i>Code no.</i>	SW (mm) <i>A/F (mm)</i>
HSX 224 F	HX 224 H 20 M	F93-060-9-02026	20
	HX 224 H 24 M	F93-060-9-02426	24
HSX 230 F	HX 230 H 24 M	F93-072-9-02407	24
	HX 230 H 30 M	F93-072-9-03007	30
HSX 232 F	HX 232 H 24 M	F93-076-9-02452	24
	HX 232 H 27 M	F93-076-9-02752	27
	HX 232 H 32 M	F93-076-9-03252	32
HSX 236 F	HX 236 H 24 M	F93-050-9-02407	24
	HX 236 H 27 M	F93-050-9-02707	27
	HX 236 H 30 M	F93-050-9-03007	30
	HX 236 H 32 M	F93-050-9-03207	32
	HX 236 H 36 M	F93-050-9-03607	36
HSX 241 F	HX 241 H 27 M	F93-056-9-02755	27
	HX 241 H 30 M	F93-056-9-03055	30
	HX 241 H 32 M	F93-056-9-03255	32
	HX 241 H 36 M	F93-056-9-03655	36
	HX 241 H 41 M	F93-056-9-04155	41
HSX 246 F	HX 246 H 30 M	F93-062-9-03002	30
	HX 246 H 32 M	F93-062-9-03202	32
	HX 246 H 36 M	F93-062-9-03602	36
	HX 246 H 41 M	F93-062-9-04102	41
	HX 246 H 46 M	F93-062-9-04602	46
HSX 250 F	HX 250 H 30 M	F93-068-9-03005	30
	HX 250 H 32 M	F93-068-9-03205	32
	HX 250 H 36 M	F93-068-9-03605	36
	HX 250 H 41 M	F93-068-9-04105	41
	HX 250 H 46 M	F93-068-9-04605	46
	HX 250 H 50 M	F93-068-9-05005	50
HSX 255 F	HX 255 H 36 M	F93-072-9-03606	36
	HX 255 H 41 M	F93-072-9-04106	41
	HX 255 H 46 M	F93-072-9-04606	46
	HX 255 H 50 M	F93-072-9-05006	50
	HX 255 H 55 M	F93-072-9-05506	55
HSX 260 F	HX 260 H 36 M	F93-078-9-03604	36
	HX 260 H 41 M	F93-078-9-04104	41
	HX 260 H 46 M	F93-078-9-04604	46
	HX 260 H 50 M	F93-078-9-05004	50
	HX 260 H 55 M	F93-078-9-05504	55
	HX 260 H 58 M	F93-078-9-05804	58
	HX 260 H 60 M	F93-078-9-06004	60

Ratschenkopf <i>Ratchet head</i>	Code Nr. <i>Code no.</i>	SW (") <i>A/F (")</i>	L1 <i>(mm)</i>	B <i>(mm)</i>	H <i>(mm)</i>	Z <i>(mm)</i>	R <i>(mm)</i>	MT _{max} <i>(Nm)</i>	Gewicht <i>Weight</i> <i>(kg)</i>
HSX 224 F	G51-025-0-00126	15/16"	173	34,5	124,5	40	21,5	750	1,25
HSX 230 F	G51-025-0-00226	1 1/8"	173	34,5	128,5	40	25,5	1 050	1,25
HSX 232 F	G51-025-0-00326	1 1/4"	173	34,5	130,5	40	27,5	1 250	1,35
HSX 236 F	G51-025-0-00426	1 3/8"	173	34,5	133,5	40	30,0	1 500	1,35
HSX 241 F	G51-025-0-00526	1 9/16"	173	34,5	137,0	40	34,0	2 000	1,45
HSX 246 F	G51-025-0-00726	1 13/16"	173	34,5	141,0	40	38,0	2 350	1,45
HSX 250 F	G51-025-0-00826	1 15/16"	173	34,5	143,5	40	40,0	2 500	1,45
HSX 255 F	G51-025-0-00926	2 1/8"	173	34,5	146,5	40	43,5	2 500	1,45
HSX 260 F	G51-025-0-01026	2 3/8"	175	34,5	153,5	40	45,5	2 500	1,50
HSX 265 F	G51-025-0-01526	2 1/2"	179	34,5	158,5	40	48,0	2 500	1,55

Ratschenkopf <i>Ratchet head</i>	Sechskanteinsatz <i>Hexagon key insert</i>	Code Nr. <i>Code no.</i>	SW (") <i>A/F (")</i>
HSX 241 F	HX 241 H 156	F93-056-9-04056	1 ⁹ / ₁₆ "
HSX 246 F	HX 246 H 181	F93-062-9-04702	1 ¹³ / ₁₆ "
HSX 250 F	HX 250 H 200	F93-068-9-05106	1 ¹⁵ / ₁₆ "
HSX 255 F	HX 255 H 163	F93-072-9-04109	1 ⁵ / ₈ "
	HX 255 H 169	F93-072-9-04309	1 ¹¹ / ₁₆ "
	HX 255 H 175	F93-072-9-04509	1 ³ / ₄ "
	HX 255 H 181	F93-072-9-04609	1 ¹³ / ₁₆ "
	HX 255 H 188	F93-072-9-04809	1 ⁷ / ₈ "
	HX 255 H 194	F93-072-9-04909	1 ¹⁵ / ₁₆ "
	HX 255 H 200	F93-072-9-05109	2"
	HX 255 H 206	F93-072-9-05209	2 ¹ / ₁₆ "
	HX 255 H 213	F93-072-9-05409	2 ¹ / ₈ "
	HX 255 H 219	F93-072-9-05609	2 ³ / ₁₆ "
HSX 255 F	HX 260 H 238	F93-078-9-06104	2 ³ / ₈ "

Ratschenkopf <i>Ratchet head</i>	Code Nr. <i>Code no.</i>	SW (mm) <i>A/F (mm)</i>	L1 <i>(mm)</i>	B <i>(mm)</i>	H <i>(mm)</i>	Z <i>(mm)</i>	R <i>(mm)</i>	MT _{max} <i>(Nm)</i>	Gewicht <i>Weight</i> <i>(kg)</i>
HSX 224 W	G51-025-0-00824	max. 24	173	37,9	128,5	40	25,5	1 050	1,55
HSX 227 W	G51-025-0-00124	max. 27	173	37,9	134,0	40	27,5	1 250	1,55
HSX 232 W	G51-025-0-00224	max. 32	173	38,2	133,0	40	30,0	1 500	1,55
HSX 236 W	G51-025-0-00324	max. 36	171	38,5	143,5	40	37,0	2 000	1,65
HSX 241 W	G51-025-0-00424	max. 41	173	38,5	141,0	40	38,0	2 350	1,75
HSX 246 W	G51-025-0-00524	max. 46	173	38,5	148,0	40	41,5	2 500	1,75
HSX 250 W	G51-025-0-00624	max. 50	173	39,0	150,0	40	43,5	2 500	1,85
HSX 255 W	G51-025-0-00724	max. 55	175	39,0	153,5	40	45,5	2 500	1,90

Ratschenkopf <i>Ratchet head</i>	Wechseleinsatz <i>Exchangeable insert</i>	Code Nr. <i>Code no.</i>	SW (mm) <i>A/F (mm)</i>
HSX 224 W	HXW 224 H 20 M	F93-034-9-02015	20
	HXW 224 H 22 M	F93-034-9-02215	22
	HXW 224 H 24 M	F93-034-9-02415	24
HSX 232 W	HXW 232 H 20 M	F93-041-9-02031	20
	HXW 232 H 24 M	F93-041-9-02431	24
	HXW 232 H 27 M	F93-041-9-02731	27
	HXW 232 H 30 M	F93-041-9-03031	30
	HXW 232 H 32 M	F93-041-9-03231	32
HSX 236 W	HXW 236 H 24 M	F93-048-9-02465	24
	HXW 236 H 27 M	F93-048-9-02765	27
	HXW 236 H 30 M	F93-048-9-03065	30
	HXW 236 H 32 M	F93-048-9-03265	32
	HXW 236 H 36 M	F93-048-9-03665	36
HSX 241 W	HXW 241 H 24 M	F93-052-9-02405	24
	HXW 241 H 27 M	F93-052-9-02705	27
	HXW 241 H 30 M	F93-052-9-03005	30
	HXW 241 H 32 M	F93-052-9-03205	32
	HXW 241 H 36 M	F93-052-9-03605	36
	HXW 241 H 41 M	F93-052-9-04105	41
HSX 246 W	HXW 246 H 30 M	F93-058-9-03006	30
	HXW 246 H 32 M	F93-058-9-03206	32
	HXW 246 H 36 M	F93-058-9-03606	36
	HXW 246 H 41 M	F93-058-9-04106	41
	HXW 246 H 46 M	F93-058-9-04606	46

Ratschenkopf <i>Ratchet head</i>	Wechseleinsatz <i>Exchangeable insert</i>	Code Nr. <i>Code no.</i>	SW (mm) <i>A/F (mm)</i>
HSX 250 W	HXW 250 H 24 M	F93-062-9-02401	24
	HXW 250 H 27 M	F93-062-9-02701	27
	HXW 250 H 30 M	F93-062-9-03001	30
	HXW 250 H 32 M	F93-062-9-03201	32
	HXW 250 H 36 M	F93-062-9-03601	36
	HXW 250 H 41 M	F93-062-9-04101	41
	HXW 250 H 46 M	F93-062-9-04601	46
	HXW 250 H 50 M	F93-062-9-05001	50
HSX 255 W	HXW 255 H 32 M	F93-068-9-03203	32
	HXW 255 H 36 M	F93-068-9-03603	36
	HXW 255 H 41 M	F93-068-9-04103	41
	HXW 255 H 46 M	F93-068-9-04603	46
	HXW 255 H 50 M	F93-068-9-05003	50
	HXW 255 H 55 M	F93-068-9-05503	55

Ratschenkopf <i>Ratchet head</i>	Code Nr. <i>Code no.</i>	SW (") <i>A/F (")</i>	L1 <i>(mm)</i>	B <i>(mm)</i>	H <i>(mm)</i>	Z <i>(mm)</i>	R <i>(mm)</i>	MT _{max} <i>(Nm)</i>	Gewicht <i>Weight</i> <i>(kg)</i>
HSX 224 W	G51-025-0-00824	max. 1 ⁵ / ₁₆ "	173	37,9	128,5	40	25,5	1 050	1,55
HSX 227 W	G51-025-0-00124	max. 1 ¹ / ₁₆ "	173	37,9	134,0	40	27,5	1 250	1,55
HSX 232 W	G51-025-0-00224	max. 1 ¹ / ₄ "	173	38,2	133,0	40	30,0	1 500	1,55
HSX 236 W	G51-025-0-00324	max. 1 ³ / ₈ "	171	38,5	143,5	40	37,0	2 000	1,65
HSX 241 W	G51-025-0-00424	max. 1 ⁹ / ₁₆ "	173	38,5	141,0	40	38,0	2 350	1,75
HSX 246 W	G51-025-0-00524	max. 1 ¹³ / ₁₆ "	173	38,5	148,0	40	41,5	2 500	1,75
HSX 250 W	G51-025-0-00624	max. 1 ¹⁵ / ₁₆ "	173	39,0	150,0	40	43,5	2 500	1,85
HSX 255 W	G51-025-0-00724	max. 2 ¹ / ₈ "	175	39,0	153,5	40	45,5	2 500	1,90

Ratschenkopf <i>Ratchet head</i>	Wechseleinsatz <i>Exchangeable insert</i>	Code Nr. <i>Code no.</i>	SW (") <i>A/F (")</i>
HSX 236 W	HXW 236 H 106	F93-048-9-02766	1 ¹ / ₁₆ "
	HXW 236 H 113	F93-048-9-02966	1 ¹ / ₈ "
	HXW 236 H 119	F93-048-9-03066	1 ³ / ₁₆ "
	HXW 236 H 125	F93-048-9-03266	1 ¹ / ₄ "
	HXW 236 H 131	F93-048-9-03366	1 ⁵ / ₁₆ "
	HXW 236 H 136	F93-048-9-03566	1 ³ / ₈ "
HSX 241 W	HXW 241 H 150	F93-052-9-03805	1 ¹ / ₂ "
HSX 246 W	HXW 246 H 131	F93-058-9-03306	1 ⁵ / ₁₆ "
HSX 250 W	HXW 250 H 119	F93-062-9-03003	1 ³ / ₁₆ "
	HXW 250 H 125	F93-062-9-03203	1 ¹ / ₄ "
	HXW 250 H 131	F93-062-9-03303	1 ⁵ / ₁₆ "
	HXW 250 H 138	F93-062-9-03503	1 ³ / ₈ "
	HXW 250 H 144	F93-062-9-03703	1 ⁷ / ₁₆ "
	HXW 250 H 150	F93-062-9-03803	1 ¹ / ₂ "
	HXW 250 H 156	F93-062-9-04003	1 ⁹ / ₁₆ "
	HXW 250 H 163	F93-062-9-04103	1 ⁵ / ₈ "
	HXW 250 H 169	F93-062-9-04303	1 ¹¹ / ₁₆ "
	HXW 250 H 175	F93-062-9-04503	1 ³ / ₄ "
	HXW 250 H 181	F93-062-9-04603	1 ¹³ / ₁₆ "
	HXW 250 H 188	F93-062-9-04803	1 ⁷ / ₈ "
	HXW 250 H 194	F93-062-9-04903	1 ¹⁵ / ₁₆ "
HSX 255 W	HXW 255 H 188	F93-068-9-04808	1 ⁷ / ₈ "
	HXW 255 H 200	F93-068-9-05108	2"
	HXW 255 H 213	F93-068-9-05408	2 ¹ / ₈ "

SX - EC 5

Antriebseinheit <i>Drive unit</i>	Code Nr. <i>Code no.</i>	Leistungsbereich <i>Performance range</i> (Nm)	B2 (mm)	Gewicht <i>Weight</i> (kg)
SX - EC 5 TS	G52-050-0-00540	500 - 5 500	50	2,2
SX - EC 5 MS-O	G52-050-0-00220	500 - 5 500	50	2,0
SX - EC 5 MS-H	G52-050-0-00520	500 - 5 500	50	2,0
SX - EC 5 MF	G52-050-0-00320	500 - 5 500	50	1,9

Ratschenkopf <i>Ratchet head</i>	Code Nr. <i>Code no.</i>	SW (mm) A/F (mm)	L1 (mm)	B (mm)	H (mm)	Z (mm)	R (mm)	MT _{max} (Nm)	Gewicht <i>Weight</i> (kg)
HSX 532 F	G51-050-0-00125	32	215,0	45	165,5	36,5	27,5	1 750	2,45
HSX 536 F	G51-050-0-01325	36	215,0	45	168,5	36,5	30,5	2 000	2,50
HSX 541 F	G51-050-0-00225	41	221,0	45	172,5	36,5	34,5	2 700	2,55
HSX 546 F	G51-050-0-00325	46	220,0	45	175,5	36,5	37,5	3 100	2,55
HSX 550 F	G51-050-0-00425	50	221,0	45	178,0	36,5	40,0	4 100	2,65
HSX 555 F	G51-050-0-00121	55	221,0	45	184,0	36,5	46,0	5 500	2,65
HSX 560 F	G51-050-0-00525	60	221,0	45	186,0	36,5	48,0	5 500	2,75
HSX 565 F	G51-050-0-00625	65	227,5	45	188,0	36,5	50,0	5 500	2,75
HSX 570 F	G51-050-0-00221	70	227,5	45	193,5	36,5	55,5	5 500	2,75
HSX 575 F	G51-050-0-01225	75	228,0	45	200,5	36,5	56,5	5 500	2,85
HSX 580 F	G51-050-0-00825	80	228,0	45	202,0	36,5	58,5	5 500	2,85
HSX 585 F	G51-050-0-01425	85	233,0	45	207,0	36,5	63,0	5 500	3,00

Ratschenkopf <i>Ratchet head</i>	Sechskanteinsatz <i>Hexagon key insert</i>	Code Nr. <i>Code no.</i>	SW (mm) A/F (mm)
HSX 532 F	HX 532 H 32 M	F93-076-9-03253	32
HSX 536 F	HX 536 H 36 M	F93-050-9-03608	36
HSX 541 F	HX 541 H 36 M	F93-092-9-03614	36
	HX 541 H 41 M	F93-092-9-04114	41
HSX 546 F	HX 546 H 30 M	F93-062-9-03004	30
	HX 546 H 41 M	F93-062-9-04104	41
	HX 546 H 46 M	F93-062-9-04604	46
HSX 550 F	HX 550 H 32 M	F93-068-9-03202	32
	HX 550 H 36 M	F93-068-9-03602	36
	HX 550 H 41 M	F93-068-9-04102	41
	HX 550 H 46 M	F93-068-9-04602	46
	HX 550 H 50 M	F93-068-9-05002	50
HSX 555 F	HX 555 H 30 M	F93-074-9-03013	30
	HX 555 H 32 M	F93-074-9-03213	32
	HX 555 H 36 M	F93-074-9-03613	36
	HX 555 H 41 M	F93-074-9-04113	41
	HX 555 H 46 M	F93-074-9-04613	46
	HX 555 H 50 M	F93-074-9-05013	50
	HX 555 H 51 M	F93-074-9-05113	51
	HX 555 H 55 M	F93-074-9-05522	55

Ratschenkopf <i>Ratchet head</i>	Sechskanteinsatz <i>Hexagon key insert</i>	Code Nr. <i>Code no.</i>	SW (mm) <i>A/F (mm)</i>
HSX 560 F	HX 560 H 55 M	F93-080-9-05501	55
	HX 560 H 58 M	F93-080-9-05801	58
	HX 560 H 60 M	F93-080-9-06001	60
HSX 565 F	HX 565 H 46 M	F93-085-9-04600	46
	HX 565 H 55 M	F93-085-9-05500	55
	HX 565 H 60 M	F93-085-9-06000	60
	HX 565 H 63 M	F93-085-9-06300	63
	HX 565 H 65 M	F93-085-9-06500	65
HSX 570 F	HX 570 H 55 M	F93-092-9-05512	55
	HX 570 H 60 M	F93-092-9-06012	60
	HX 570 H 65 M	F93-092-9-06512	65
	HX 570 H 70 M	F93-092-9-07012	70
	HX 570 H 71 M	F93-092-9-07112	71
HSX 575 F	HX 575 H 60 M	F93-097-9-06000	60
	HX 575 H 65 M	F93-097-9-06500	65
	HX 575 H 75 M	F93-097-9-07500	75
HSX 580 F	HX 580 H 75 M	F93-102-9-07505	75
	HX 580 H 77 M	F93-102-9-07705	77
	HX 580 H 80 M	F93-102-9-08005	80

Ratschenkopf <i>Ratchet head</i>	Code Nr. <i>Code no.</i>	SW (") <i>A/F (")</i>	L1 (mm)	B (mm)	H (mm)	Z (mm)	R (mm)	MT _{max} (Nm)	Gewicht <i>Weight</i> (kg)
HSX 532 F	G51-050-0-00127	1 ¹ / ₄ "	215,0	45	165,5	36,5	27,5	1 750	2,45
HSX 536 F	G51-050-0-01327	1 ³ / ₈ "	215,0	45	168,5	36,5	30,5	2 000	2,50
HSX 541 F	G51-050-0-00227	1 ⁹ / ₁₆ "	221,0	45	172,5	36,5	34,5	2 700	2,55
HSX 546 F	G51-050-0-00327	1 ¹³ / ₁₆ "	220,0	45	175,5	36,5	37,5	3 100	2,55
HSX 550 F	G51-050-0-00427	1 ¹⁵ / ₁₆ "	221,0	45	178,0	36,5	40,0	4 100	2,65
HSX 555 F	G51-050-0-00727	2 ¹ / ₈ "	221,0	45	184,0	36,5	46,0	5 500	2,65
HSX 560 F	G51-050-0-00527	2 ³ / ₄ "	221,0	45	186,0	36,5	48,0	5 500	2,75
HSX 565 F	G51-050-0-00627	2 ¹ / ₂ "	227,5	45	188,0	36,5	50,0	5 500	2,75
HSX 570 F	G51-050-0-00927	2 ³ / ₄ "	227,5	45	193,5	36,5	55,5	5 500	2,75
HSX 575 F	G51-050-0-01227	2 ¹⁵ / ₁₆ "	228,0	45	200,5	36,5	56,5	5 500	2,85
HSX 580 F	G51-050-0-00827	3 ¹ / ₈ "	228,0	45	202,0	36,5	58,5	5 500	2,85
HSX 585 F	G51-050-0-02325	3 ¹ / ₄ "	233,0	45	207,0	36,5	63,0	5 500	3,00

Ratschenkopf <i>Ratchet head</i>	Wechseleinsatz <i>Exchangeable insert</i>	Code Nr. <i>Code no.</i>	SW (") <i>A/F (")</i>
HSX 541 F	HX 541 H 156	F93-092-9-04014	1 ⁹ / ₁₆ "
HSX 555 F	HX 555 H 163	F93-074-9-04116	1 ⁵ / ₈ "
	HX 555 H 169	F93-074-9-04316	1 ¹¹ / ₁₆ "
	HX 555 H 175	F93-074-9-04516	1 ³ / ₄ "
	HX 555 H 181	F93-074-9-04616	1 ¹³ / ₁₆ "
	HX 555 H 188	F93-074-9-04816	1 ⁷ / ₈ "
	HX 555 H 194	F93-074-9-04916	1 ¹⁵ / ₁₆ "
	HX 555 H 200	F93-074-9-05116	2"
	HX 555 H 206	F93-074-9-05216	2 ¹ / ₁₆ "
	HX 555 H 213	F93-074-9-05416	2 ¹ / ₈ "
HSX 560 F	HX 560 H 238	F93-080-9-06102	2 ³ / ₈ "
HSX 565 F	HX 565 H 250	F93-085-9-06405	2 ¹ / ₂ "
	HX 565 H 256	F93-085-9-06605	2 ⁹ / ₁₆ "

Ratschenkopf
Ratchet head

Wechseleinsatz <i>Exchangeable insert</i>	Code Nr. <i>Code no.</i>	SW (") <i>A/F (")</i>
HSX 570 F HX 570 H 213	F93-092-9-05415	2 1/8"
HX 570 H 219	F93-092-9-05615	2 1/4"
HX 570 H 225	F93-092-9-05715	2 1/4"
HX 570 H 238	F93-092-9-06015	2 3/8"
HX 570 H 244	F93-092-9-06215	2 7/16"
HX 570 H 250	F93-092-9-06415	2 1/2"
HX 570 H 256	F93-092-9-06515	2 9/16"
HX 570 H 263	F93-092-9-06715	2 5/8"
HX 570 H 269	F93-092-9-06815	2 11/16"
HX 570 H 275	F93-092-9-07015	2 3/4"
HSX 580 F HX 580 H 313	F93-102-9-07905	3 1/8"

Ratschenkopf <i>Ratchet head</i>	Code Nr. <i>Code no.</i>	SW <i>A/F</i> <i>(mm)</i>	L1 <i>(mm)</i>	B <i>(mm)</i>	H <i>(mm)</i>	Z <i>(mm)</i>	R <i>(mm)</i>	MT _{max} <i>(Nm)</i>	Gewicht <i>Weight</i> <i>(kg)</i>
HSX 536 W	G51-050-0-00124	max. 36	221,0	48,9	172,5	36,5	34,5	2 700	2,85
HSX 546 W	G51-050-0-00224	max. 46	212,0	48,9	178,0	36,5	40,0	4 100	2,90
HSX 550 W	G51-050-0-00324	max. 50	221,0	48,9	184,0	36,5	46,0	5 000	2,95
HSX 555 W	G51-050-0-00424	max. 55	227,5	48,9	186,0	36,5	48,0	5 500	3,05
HSX 560 W	G51-050-0-00524	max. 60	227,5	48,9	189,0	36,5	51,0	5 500	3,05
HSX 565 W	G51-050-0-00624	max. 65	227,5	48,9	193,5	36,5	55,5	5 500	3,05
HSX 570 W	G51-050-0-00824	max. 70	228,0	48,9	200,5	36,5	56,5	5 500	3,25
HSX 575 W	G51-050-0-00724	max. 75	228,0	48,9	202,0	36,5	58,5	5 500	3,25
HSX 580 W	G51-050-0-00924	max. 80	233,0	48,9	207,0	36,5	63,0	5 500	3,00

Ratschenkopf
Ratchet head

Sechskanteinsatz <i>Hexagon key insert</i>	Code Nr. <i>Code no.</i>	SW (mm) <i>A/F (mm)</i>
HSX 536 W HXW 536 H 24 M	F93-046-9-02405	24
HXW 536 H 27 M	F93-046-9-02705	27
HXW 536 H 30 M	F93-046-9-03005	30
HXW 536 H 32 M	F93-046-9-03205	32
HXW 536 H 36 M	F93-046-9-03605	36
HSX 546 W HXW 546 H 24 M	F93-057-9-02404	24
HXW 546 H 27 M	F93-057-9-02704	27
HXW 546 H 30 M	F93-057-9-03004	30
HXW 546 H 32 M	F93-057-9-03204	32
HXW 546 H 36 M	F93-057-9-03604	36
HXW 546 H 41 M	F93-057-9-04104	41
HXW 546 H 42 M	F93-057-9-04204	42
HXW 546 H 46 M	F93-057-9-04604	46
HSX 550 W HXW 550 H 30 M	F93-057-9-04604	30
HXW 550 H 32 M	F93-063-9-03201	32
HXW 550 H 36 M	F93-063-9-03601	36
HXW 550 H 41 M	F93-063-9-04101	41
HXW 550 H 46 M	F93-063-9-04601	46
HXW 550 H 50 M	F93-063-9-05001	50
HSX 555 W HXW 555 H 30 M	F93-068-9-03001	30
HXW 555 H 32 M	F93-068-9-03201	32
HXW 555 H 36 M	F93-068-9-03601	36
HXW 555 H 41 M	F93-068-9-04101	41
HXW 555 H 46 M	F93-068-9-04601	46
HXW 555 H 50 M	F93-068-9-05001	50
HXW 555 H 55 M	F93-068-9-05501	55
HSX 560 W HXW 560 H 42 M	F93-076-9-04233	42
HXW 560 H 46 M	F93-076-9-04633	46
HXW 560 H 50 M	F93-076-9-05033	50
HXW 560 H 55 M	F93-076-9-05533	55
HXW 560 H 60 M	F93-076-9-06033	60

Ratschenkopf <i>Ratchet head</i>	Sechskanteinsatz <i>Hexagon key insert</i>	Code Nr. <i>Code no.</i>	SW (mm) <i>A/F (mm)</i>
HSX 565 W	HXW 565 H 46 M	F93-080-9-04603	46
	HXW 565 H 50 M	F93-080-9-05003	50
	HXW 565 H 54 M	F93-080-9-05403	54
	HXW 565 H 55 M	F93-080-9-05503	55
	HXW 565 H 58 M	F93-080-9-05803	58
	HXW 565 H 60 M	F93-080-9-06003	60
	HXW 565 H 63 M	F93-080-9-06303	63
	HXW 565 H 65 M	F93-080-9-06503	65
HSX 570 W	HXW 570 H 46 M	F93-085-9-04601	46
	HXW 570 H 50 M	F93-085-9-05001	50
	HXW 570 H 55 M	F93-085-9-05501	55
	HXW 570 H 60 M	F93-085-9-06001	60
	HXW 570 H 65 M	F93-085-9-06501	65
	HXW 570 H 70 M	F93-085-9-07001	70
HSX 575 W	HXW 575 H 24 M	F93-092-9-02420	24
	HXW 575 H 27 M	F93-092-9-02720	27
	HXW 575 H 30 M	F93-092-9-03020	30
	HXW 575 H 32 M	F93-092-9-03220	32
	HXW 575 H 36 M	F93-092-9-03620	36
	HXW 575 H 41 M	F93-092-9-04120	41
	HXW 575 H 46 M	F93-092-9-04620	46
	HXW 575 H 50 M	F93-092-9-05020	50
	HXW 575 H 55 M	F93-092-9-05520	55
	HXW 575 H 60 M	F93-092-9-06020	60
	HXW 575 H 65 M	F93-092-9-06520	65
	HXW 575 H 70 M	F93-092-9-07020	70
	HXW 575 H 75 M	F93-092-9-07520	75
	HSX 580 W	HXW 580 H 50 M	F93-099-9-05001
HXW 580 H 55 M		F93-099-9-05501	55
HXW 580 H 60 M		F93-099-9-06001	60
HXW 580 H 65 M		F93-099-9-06501	65
HXW 580 H 70 M		F93-099-9-07001	70
HXW 580 H 75 M		F93-099-9-07501	75
HXW 580 H 80 M		F93-099-9-08001	80

Ratschenkopf <i>Ratchet head</i>	Code Nr. <i>Code no.</i>	SW (") <i>A/F (")</i>	L1 <i>(mm)</i>	B <i>(mm)</i>	H <i>(mm)</i>	Z <i>(mm)</i>	R <i>(mm)</i>	MT _{max} <i>(Nm)</i>	Gewicht <i>Weight</i> <i>(kg)</i>
HSX 536 W	G51-050-0-00124	max. 1 ³ / ₈ "	221,0	48,9	172,5	36,5	34,5	2 700	2,85
HSX 546 W	G51-050-0-00224	max. 1 ¹³ / ₁₆ "	212,0	48,9	178,0	36,5	40,0	4 100	2,90
HSX 550 W	G51-050-0-00324	max. 1 ¹⁵ / ₁₆ "	221,0	48,9	184,0	36,5	46,0	5 000	2,95
HSX 555 W	G51-050-0-00424	max. 2 ¹ / ₈ "	227,5	49,4	186,0	36,5	48,0	5 500	3,05
HSX 560 W	G51-050-0-00524	max. 2 ³ / ₁₆ "	227,5	49,4	189,0	36,5	51,0	5 500	3,05
HSX 565 W	G51-050-0-00624	max. 2 ¹ / ₂ "	227,5	49,9	193,5	36,5	55,5	5 500	3,05
HSX 570 W	G51-050-0-00824	max. 2 ³ / ₄ "	228,0	49,9	200,5	36,5	56,5	5 500	3,25
HSX 575 W	G51-050-0-00724	max. 2 ¹⁵ / ₁₆ "	228,0	49,9	202,0	36,5	58,5	5 500	3,25
HSX 580 W	G51-050-0-00924	max. 3 ¹ / ₈ "	233,0	45,0	207,0	36,5	63,0	5 500	3,00

Ratschenkopf <i>Ratchet head</i>	Wechseleinsatz <i>Exchangeable insert</i>	Code Nr. <i>Code no.</i>	SW (") <i>A/F (")</i>
HSX 536 W	HXW 536 H 094	F93-046-9-02406	1 ⁵ / ₁₆ "
	HXW 536 H 100	F93-046-9-02506	1"
	HXW 536 H 106	F93-046-9-02706	1 ¹ / ₁₆ "
	HXW 536 H 113	F93-046-9-02906	1 ¹ / ₈ "
	HXW 536 H 119	F93-046-9-03006	1 ³ / ₁₆ "
	HXW 536 H 125	F93-046-9-03206	1 ¹ / ₄ "
	HXW 536 H 131	F93-046-9-03306	1 ⁵ / ₁₆ "
	HXW 536 H 138	F93-046-9-03506	1 ³ / ₈ "

Ratschenkopf <i>Ratchet head</i>	Wechseleinsatz <i>Exchangeable insert</i>	Code Nr. <i>Code no.</i>	SW (") <i>A/F (")</i>
HSX 550 W	HXW 550 H 163	F93-063-9-04102	1 ⁵ / ₈ "
	HXW 550 H 169	F93-063-9-04302	1 ¹¹ / ₁₆ "
	HXW 550 H 175	F93-063-9-04502	1 ³ / ₄ "
	HXW 550 H 181	F93-063-9-04602	1 ¹³ / ₁₆ "
	HXW 550 H 188	F93-063-9-04802	1 ⁷ / ₈ "
	HXW 550 H 194	F93-063-9-04902	1 ¹⁵ / ₁₆ "
HSX 555 W	HXW 555 H 181	F93-068-9-04604	1 ¹³ / ₁₆ "
	HXW 555 H 188	F93-068-9-04804	1 ⁷ / ₈ "
	HXW 555 H 194	F93-068-9-04904	1 ¹⁵ / ₁₆ "
	HXW 555 H 200	F93-068-9-05104	2"
	HXW 555 H 206	F93-068-9-05204	2 ¹ / ₁₆ "
	HXW 555 H 213	F93-068-9-05404	2 ¹ / ₈ "
	HXW 555 H 219	F93-068-9-05604	2 ³ / ₁₆ "
HSX 560 W	HXW 560 H 219	F93-076-9-05633	2 ³ / ₁₆ "
HSX 565 W	HXW 565 H 194	F93-080-9-04904	1 ¹⁵ / ₁₆ "
	HXW 565 H 200	F93-080-9-05104	2"
	HXW 565 H 206	F93-080-9-05204	2 ¹ / ₁₆ "
	HXW 565 H 213	F93-080-9-05404	2 ¹ / ₈ "
	HXW 565 H 219	F93-080-9-05604	2 ³ / ₁₆ "
	HXW 565 H 225	F93-080-9-05704	2 ¹ / ₄ "
	HXW 565 H 238	F93-080-9-06004	2 ³ / ₈ "
	HXW 565 H 244	F93-080-9-06204	2 ⁷ / ₁₆ "
	HXW 565 H 250	F93-080-9-06404	2 ¹ / ₂ "
	HXW 565 H 256	F93-080-9-06504	2 ⁹ / ₁₆ "
HSX 570 W	HXW 570 H 238	F93-085-9-06002	2 ³ / ₈ "
	HXW 570 H 256	F93-085-9-06502	2 ⁹ / ₁₆ "
	HXW 570 H 263	F93-085-9-06702	2 ⁵ / ₈ "
	HXW 570 H 269	F93-085-9-06802	2 ¹¹ / ₁₆ "
	HXW 570 H 275	F93-085-9-07002	2 ³ / ₄ "
HSX 575 W	HXW 575 H 238	F93-092-9-06022	2 ³ / ₈ "
	HXW 575 H 244	F93-092-9-06222	2 ⁷ / ₁₆ "
	HXW 575 H 250	F93-092-9-06422	2 ¹ / ₂ "
	HXW 575 H 256	F93-092-9-06522	2 ⁹ / ₁₆ "
	HXW 575 H 263	F93-092-9-06722	2 ⁵ / ₈ "
	HXW 575 H 269	F93-092-9-06822	2 ¹¹ / ₁₆ "
	HXW 575 H 275	F93-092-9-07022	2 ³ / ₄ "
	HXW 575 H 281	F93-092-9-07122	2 ¹³ / ₁₆ "
	HXW 575 H 294	F93-092-9-07522	2 ¹⁵ / ₁₆ "
HSX 580 W	HXW 580 H 288	F93-099-9-07301	2 ⁷ / ₈ "
	HXW 580 H 300	F93-099-9-07601	3"

SX - EC 8

Antriebseinheit <i>Drive unit</i>	Code Nr. <i>Code no.</i>	Leistungsbereich <i>Performance range</i> (Nm)	B2 (mm)	Gewicht <i>Weight</i> (kg)
SX - EC 8 TS	G52-080-0-00200	800 - 8 000	55	3,0

Ratschenkopf <i>Ratchet head</i>	Code Nr. <i>Code no.</i>	SW (mm) <i>A/F (mm)</i>	L1 (mm)	B (mm)	H (mm)	Z (mm)	R (mm)	MT _{max} (Nm)	Gewicht <i>Weight</i> (kg)
HSX 870 F	G51-080-0-00401	70	250	48,0	207	40	55,0	8 500	4,8
HSX 880 F	G51-080-0-00303	80	250	48,0	211	40	59,5	8 500	6,7

Ratschenkopf <i>Ratchet head</i>	Sechskanteinsatz <i>Hexagon Key Insert</i>	Code Nr. <i>Code no.</i>	SW (mm) <i>A/F (mm)</i>
HSX 870 F	HXW 870 H 46	auf Anfrage/on request	46
	HXW 870 H 50	auf Anfrage/on request	50
	HXW 870 H 55	auf Anfrage/on request	55
	HXW 870 H 60	F93-062-9-06505	60
	HXW 870 H 70	F93-062-9-07005	70
HSX 880 F	HXW 880 H 65	auf Anfrage/on request	65
	HXW 880 H 70	auf Anfrage/on request	70
	HXW 880 H 75	F93-102-9-07500	75
	HXW 880 H 80	F93-068-9-08000	80

SX - EC 12

Antriebseinheit <i>Drive unit</i>	Code Nr. <i>Code no.</i>	Leistungsbereich <i>Performance range</i> (Nm)	B2 (mm)	Gewicht <i>Weight</i> (kg)
SX - EC 12 TS	G52-120-0-00315	1 200 - 12 000	64 mm	3,8
SX - EC 12 MS-O	G52-120-0-00115	1 200 - 12 000	64 mm	3,9
SX - EC 12 MS-H	G52-120-0-00415	1 200 - 12 000	64 mm	3,9
SX - EC 12 MF	G52-120-0-00215	1 200 - 12 000	64 mm	3,8

Ratschenkopf <i>Ratchet head</i>	Code Nr. <i>Code no.</i>	SW (mm) <i>A/F (mm)</i>	L1 (mm)	B (mm)	H (mm)	Z (mm)	R (mm)	MT _{max} (Nm)	Gewicht <i>Weight</i> (kg)
HSX 12055 F	G51-120-0-00520	55	290,0	51	214,5	32,5	49,0	7 500	3,9
HSX 12060 F	G51-120-0-00620	60	293,5	51	217,5	32,5	52,0	7 500	3,9
HSX 12065 F	G51-120-0-01320	65	296,5	51	220,0	32,5	54,5	8 000	3,9
HSX 12070 F	G51-120-0-00720	70	298,0	51	226,5	32,5	61,0	11 500	4,0
HSX 12075 F	G51-120-0-01520	75	298,0	51	228,0	32,5	62,5	12 000	4,0
HSX 12080 F	G51-120-0-00120	80	298,0	51	232,0	32,5	66,5	12.000	4,1
HSX 12085 F	G51-120-0-01120	85	300,0	51	234,5	32,5	69,0	12 000	4,2
HSX 12090 F	G51-120-0-01220	90	300,0	51	238,0	32,5	72,5	12 000	4,2
HSX 12095 F	G51-120-0-00220	95	300,0	51	238,0	32,5	72,5	12 000	4,3
HSX 12100 F	G51-120-0-00826	100	300,0	51	245,5	32,5	75,0	12 000	4,4
HSX 12105 F	G51-120-0-01621	105	300,5	51	247,0	32,5	76,5	12 000	4,5
HSX 12110 F	G51-120-0-01720	110	305,0	51	258,0	32,5	83,0	12 000	4,6
HSX 12115 F	G51-120-0-00110	115	306,0	51	257,0	32,5	83,5	12 000	4,6
HSX 12120 F	G51-120-0-01422	120	311,0	51	264,5	32,5	85,0	12 000	4,6

Ratschenkopf <i>Ratchet head</i>	Sechskanteinsatz <i>Hexagon key insert</i>	Code Nr. <i>Code no.</i>	SW (mm) <i>A/F (mm)</i>
HSX 12060 F	HX 12060 H 50 M	F93-086-9-05022	50
	HX 12060 H 51 M	F93-086-9-05122	51
	HX 12060 H 55 M	F93-086-9-05522	55
	HX 12060 H 56 M	F93-086-9-05622	56
	HX 12060 H 60 M	F93-086-9-06022	60
HSX 12065 F	HX 12065 H 50 M	F93-090-9-05007	50
	HX 12060 H 55 M	F93-090-9-05507	55
	HX 12060 H 60 M	F93-090-9-06007	60
	HX 12060 H 63 M	F93-090-9-06307	63
	HX 12060 H 65 M	F93-090-9-06507	65
HSX 12070 F	HX 12070 H 50 M	F93-098-9-05003	50
	HX 12070 H 55 M	F93-098-9-05503	55
	HX 12070 H 60 M	F93-098-9-06003	60
	HX 12070 H 65 M	F93-098-9-06503	65
	HX 12070 H 67 M	F93-098-9-06703	67
	HX 12070 H 70 M	F93-098-9-07003	70

Ratschenkopf <i>Ratchet head</i>	Sechskanteinsatz <i>Hexagon key insert</i>	Code Nr. <i>Code no.</i>	SW (mm) <i>A/F (mm)</i>
HSX 12075 F	HX 12075 H 46 M	F93-102-9-04610	46
	HX 12075 H 55 M	F93-102-9-05510	55
	HX 12075 H 60 M	F93-102-9-06010	60
	HX 12075 H 65 M	F93-102-9-06510	65
	HX 12075 H 70 M	F93-102-9-07010	70
	HX 12075 H 75 M	F93-102-9-07510	75
HSX 12080 F	HX 12080 H 57 M	F93-108-9-05710	57
	HX 12080 H 65 M	F93-108-9-06510	65
	HX 12080 H 70 M	F93-108-9-07010	70
	HX 12080 H 71 M	F93-108-9-07110	71
	HX 12080 H 75 M	F93-108-9-07510	75
	HX 12080 H 77 M	F93-108-9-07710	77
	HX 12080 H 80 M	F93-108-9-08010	80
HSX 12085 F	HX 12085 H 80 M	F93-108-9-05710	57
	HX 12085 H 85 M	F93-108-9-06510	65
HSX 12090 F	HX 12090 H 75 M	F93-122-9-07522	75
	HX 12090 H 80 M	F93-122-9-08022	80
	HX 12090 H 85 M	F93-122-9-08522	85
	HX 12090 H 90 M	F93-122-9-09022	90
HSX 12095 F	HX 12095 H 65 M	F93-123-9-06501	65
	HX 12095 H 70 M	F93-123-9-07001	70
	HX 12095 H 75 M	F93-123-9-07501	75
	HX 12095 H 80 M	F93-123-9-08001	80
	HX 12095 H 85 M	F93-123-9-08501	85
	HX 12095 H 90 M	F93-123-9-09001	90
	HX 12095 H 95 M	F93-123-9-09501	95
HSX 12100 F	HX 12100 H 70 M	F93-130-9-07005	70
	HX 12100 H 75 M	F93-130-9-07505	75
	HX 12100 H 80 M	F93-130-9-08005	80
	HX 12100 H 85 M	F93-130-9-08505	85
	HX 12100 H 90 M	F93-130-9-09005	90
	HX 12100 H 95 M	F93-130-9-09505	95
	HX 12100 H 100 M	F93-130-9-10005	100

Ratschenkopf <i>Ratchet head</i>	Code Nr. <i>Code no.</i>	SW (") <i>A/F (")</i>	L1 (mm)	B (mm)	H (mm)	Z (mm)	R (mm)	MT _{max} (Nm)	Gewicht <i>Weight</i> (kg)
HSX 12055 F	G51-120-0-00525	2 1/8"	290,0	51	214,5	32,5	49,0	7 500	3,9
HSX 12060 F	G51-120-0-00625	2 3/8"	293,5	51	217,5	32,5	52,0	7 500	3,9
HSX 12065 F	G51-120-0-01325	2 1/2"	296,5	51	220,0	32,5	54,5	8 000	3,9
HSX 12070 F	G51-120-0-00725	2 3/4"	298,0	51	226,5	32,5	61,0	11 500	4,0
HSX 12075 F	G51-120-0-01425	2 15/16"	298,0	51	228,0	32,5	62,5	12 000	4,0
HSX 12080 F	G51-120-0-00125	3 1/8"	298,0	51	232,0	32,5	66,5	12 000	4,1
HSX 12085 F	G51-120-0-01125	3 5/16"	300,0	51	234,5	32,5	69,0	12 000	4,2
HSX 12090 F	G51-120-0-01225	3 1/2"	300,0	51	238,0	32,5	72,5	12 000	4,2
HSX 12095 F	G51-120-0-00225	3 3/4"	300,0	51	238,0	32,5	72,5	12 000	4,3
HSX 12100 F	G51-120-0-00526	3 7/8"	300,0	51	245,5	32,5	75,0	12 000	4,4
HSX 12105 F	G51-120-0-01725	4 1/8"	300,5	51	247,0	32,5	76,5	12 000	4,5
HSX 12110 F	G51-120-0-00825	4 1/4"	305,0	51	258,0	32,5	83,0	12 000	4,6
HSX 12120 F	G51-120-0-01525	4 5/8"	311,0	51	264,5	32,5	85,0	12 000	4,6

Ratschenkopf <i>Ratchet head</i>	Code Nr. <i>Code no.</i>	SW (mm) <i>A/F (mm)</i>	L1 (mm)	B (mm)	H (mm)	Z (mm)	R (mm)	MT _{max} (Nm)	Gewicht <i>Weight</i> (kg)
HSX 12055 W	G51-120-0-00924	max. 55	296,5	57	220,0	32,5	54,5	8 000	4,2
HSX 12060 W	G51-120-0-01224	max. 60	298,0	57	226,5	32,5	61,0	8 000	4,2
HSX 12065 W	G51-120-0-00424	max. 65	298,0	57	226,5	32,5	61,0	11 000	4,3
HSX 12070 W	G51-120-0-00126	max. 70	300,0	58	234,5	32,5	69,0	11 500	4,5
HSX 12075 W	G51-120-0-00324	max. 75	300,0	58	238,0	32,5	72,5	12 000	4,5
HSX 12080 W	G51-120-0-00124	max. 80	300,0	58	234,5	32,5	69,0	12 000	4,5
HSX 12085 W	G51-120-0-00224	max. 85	300,0	58	238,0	32,5	72,5	12 000	4,5
HSX 12090 W	G51-120-0-00226	max. 90	299,5	58	245,5	32,5	75,0	12 000	4,6
HSX 12095 W	G51-120-0-01124	max. 95	300,5	58	247,0	32,5	76,5	12 000	4,7
HSX 12115 W	G51-120-0-01324	max. 115	316,0	58	273,5	32,5	90,0	12 000	4,9

Ratschenkopf <i>Ratchet head</i>	Wechseleinsatz <i>Exchangeable insert</i>	Code Nr. <i>Code no.</i>	SW (mm) <i>A/F (mm)</i>
HSX 12055 W	HXW 12055 H 41M	F93-074-9-04117	41
	HXW 12055 H 46M	F93-074-9-04617	46
	HXW 12055 H 50M	F93-074-9-05017	50
	HXW 12055 H 55M	F93-074-9-05517	55
HSX 12065 W	HXW 12065 H 36M	F93-082-9-03601	36
	HXW 12065 H 41M	F93-082-9-04101	41
	HXW 12065 H 46M	F93-082-9-04601	46
	HXW 12065 H 50M	F93-082-9-05001	50
	HXW 12065 H 55M	F93-082-9-05501	55
	HXW 12065 H 60M	F93-082-9-06001	60
	HXW 12065 H 65M	F93-082-9-06501	65
HSX 12070 W	HXW 12070 H 56M	F93-096-9-05632	56
	HXW 12070 H 70M	F93-096-9-07032	70
HSX 12075 W	HXW 12075 H 55M	F93-102-9-05512	55
	HXW 12075 H 60M	F93-102-9-06012	60
	HXW 12075 H 65M	F93-102-9-06512	65
	HXW 12075 H 70M	F93-102-9-07012	70
	HXW 12075 H 75M	F93-102-9-07512	75
HSX 12080 W	HXW 12080 H 46M	F93-100-9-04602	46
	HXW 12080 H 50M	F93-100-9-05002	50
	HXW 12080 H 55M	F93-100-9-05502	55
	HXW 12080 H 60M	F93-100-9-06002	60
	HXW 12080 H 65M	F93-100-9-06502	65
	HXW 12080 H 70M	F93-100-9-07002	70
	HXW 12080 H 75M	F93-100-9-07502	75
	HXW 12080 H 80M	F93-100-9-08002	80
HSX 12085 W	HXW 12085 H 41M	F93-106-9-04101	41
	HXW 12085 H 46M	F93-106-9-04601	46
	HXW 12085 H 50M	F93-106-9-05001	50
	HXW 12085 H 55M	F93-106-9-05501	55
	HXW 12085 H 60M	F93-106-9-06001	60
	HXW 12085 H 65M	F93-106-9-06501	65
	HXW 12085 H 70M	F93-106-9-07001	70
	HXW 12085 H 75M	F93-106-9-07501	75
	HXW 12085 H 77M	F93-106-9-07701	77
	HXW 12085 H 80M	F93-106-9-08001	80
	HXW 12085 H 85M	F93-106-9-08501	85
HSX 12090 W	HXW 12090 H 70M	F93-114-9-07001	70
	HXW 12090 H 75M	F93-114-9-07501	75
	HXW 12090 H 80M	F93-114-9-08001	80
	HXW 12090 H 85M	F93-114-9-08501	85
	HXW 12090 H 90M	F93-114-9-09001	90

Ratschenkopf <i>Ratchet head</i>	Wechseleinsatz <i>Exchangeable insert</i>	Code Nr. <i>Code no.</i>	SW (mm) <i>A/F (mm)</i>
HSX 12095 W	HXW 12095 H 65M	F93-118-9-06501	65
	HXW 12095 H 75M	F93-118-9-07501	75
	HXW 12095 H 77M	F93-118-9-07701	77
	HXW 12095 H 80M	F93-118-9-08001	80
	HXW 12095 H 85M	F93-118-9-08501	85
	HXW 12095 H 90M	F93-118-9-09001	90
	HXW 12095 H 95M	F93-118-9-09501	95
HSX 12115 W	HXW 12115 H 75M	F93-144-9-07509	75
	HXW 12115 H 100M	F93-144-9-10009	100
	HXW 12115 H 115M	F93-144-9-11509	115

Ratschenkopf <i>Ratchet head</i>	Code Nr. <i>Code no.</i>	SW (") <i>A/F (")</i>	L1 (mm)	B (mm)	H (mm)	Z (mm)	R (mm)	MT _{max} (Nm)	Gewicht <i>Weight</i> (kg)
HSX 12055 W	G51-120-0-00924	max. 2 ¹ / ₈ "	296,5	57	220,0	32,5	54,5	8 000	4,2
HSX 12060 W	G51-120-0-01224	max. 2 ⁵ / ₁₆ "	298,0	57	226,5	32,5	61,0	8 000	4,2
HSX 12065 W	G51-120-0-00424	max. 2 ¹ / ₂ "	298,0	57	226,5	32,5	61,0	11 500	4,3
HSX 12070 W	G51-120-0-00126	max. 2 ³ / ₄ "	300,0	58	234,5	32,5	69,0	12 000	4,5
HSX 12075 W	G51-120-0-00324	max. 2 ¹⁵ / ₁₆ "	300,0	58	238,0	32,5	72,5	12 000	4,5
HSX 12080 W	G51-120-0-00124	max. 3 ¹ / ₈ "	300,0	58	234,5	32,5	69,0	12 000	4,5
HSX 12085 W	G51-120-0-00224	max. 3 ⁵ / ₁₆ "	300,0	58	238,0	32,5	72,5	12 000	4,5
HSX 12090 W	G51-120-0-00226	max. 3 ¹ / ₂ "	299,5	58	245,5	32,5	75,0	11 000	4,6
HSX 12095 W	G51-120-0-01124	max. 3 ⁵ / ₈ "	300,5	58	247,0	32,5	76,5	12 000	4,7
HSX 12115 W	G51-120-0-01324	max. 4 ¹ / ₂ "	316,0	58	273,5	32,5	90,0	12 000	4,9

Ratschenkopf <i>Ratchet head</i>	Wechseleinsatz <i>Exchangeable insert</i>	Code Nr. <i>Code no.</i>	SW (") <i>A/F (")</i>
HSX 12055 W	HXW 12055 H 200	F93-074-9-05118	2"
HSX 12065 W	HXW 12065 H 256	F93-082-9-06502	2 ⁹ / ₁₆ "
HSX 12080 W	HXW 12080 H 181	F93-100-9-04603	1 ¹³ / ₁₆ "
	HXW 12080 H 188	F93-100-9-04803	1 ⁷ / ₈ "
	HXW 12080 H 194	F93-100-9-05003	1 ¹⁵ / ₁₆ "
	HXW 12080 H 200	F93-100-9-05103	2"
	HXW 12080 H 206	F93-100-9-05203	2 ¹ / ₁₆ "
	HXW 12080 H 213	F93-100-9-05403	2 ¹ / ₈ "
	HXW 12080 H 219	F93-100-9-05603	2 ³ / ₁₆ "
	HXW 12080 H 225	F93-100-9-05703	2 ¹ / ₄ "
	HXW 12080 H 238	F93-100-9-06003	2 ³ / ₈ "
	HXW 12080 H 244	F93-100-9-06203	2 ⁷ / ₁₆ "
	HXW 12080 H 250	F93-100-9-06403	2 ¹ / ₂ "
	HXW 12080 H 256	F93-100-9-06503	2 ⁹ / ₁₆ "
	HXW 12080 H 263	F93-100-9-06703	2 ⁵ / ₈ "
	HXW 12080 H 269	F93-100-9-06803	2 ¹¹ / ₁₆ "
	HXW 12080 H 275	F93-100-9-07003	2 ³ / ₄ "
	HXW 12080 H 281	F93-100-9-07103	2 ¹³ / ₁₆ "
	HXW 12080 H 294	F93-100-9-07503	2 ¹⁵ / ₁₆ "
	HXW 12080 H 300	F93-100-9-07603	3"
HXW 12080 H 313	F93-100-9-08003	3 ¹ / ₈ "	
HSX 12085 W	HXW 12085 H 300	F93-106-9-07602	3"
	HXW 12085 H 313	F93-106-9-08002	3 ¹ / ₈ "
	HXW 12085 H 325	F93-106-9-08302	3 ¹ / ₄ "
	HXW 12085 H 331	F93-106-9-08402	3 ⁵ / ₁₆ "

SX - EC 20

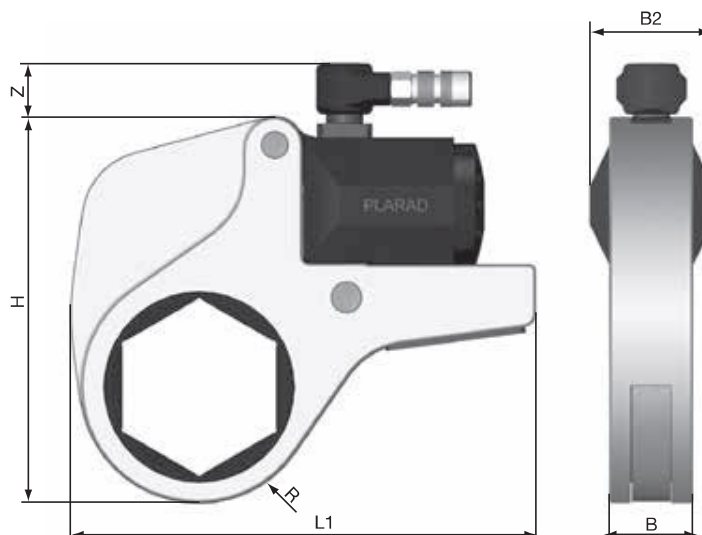
Antriebseinheit <i>Drive unit</i>	Code Nr. <i>Code no.</i>	Leistungsbereich <i>Performance range</i> (Nm)	B2 (mm)	Gewicht <i>Weight</i> (kg)
SX - EC 20 TS	G52-200-0-00315	2 000 - 20 000	80	6,2

Ratschenkopf <i>Ratchet head</i>	Code Nr. <i>Code no.</i>	SW A/F (mm)	L1 (mm)	B (mm)	H (mm)	Z (mm)	R (mm)	MT _{max} (Nm)	Gewicht <i>Weight</i> (kg)
HSX 20055 F	G51-200-0-01225	55	340	65,5	259,0	40,5	53,0	12 000	9,6
HSX 20065 F	G51-200-0-00225	65	347	65,5	270,0	40,5	59,0	13 000	9,7
HSX 20075 F	G51-200-0-00325	75	354	65,5	272,5	40,5	61,5	14 000	9,9
HSX 20080 F	G51-200-0-00925	80	355	65,5	276,0	40,5	65,0	15 500	10,0
HSX 20090 F	G51-200-0-00425	90	357	65,5	281,5	40,5	70,5	16 000	10,1
HSX 20095 F	G51-200-0-00525	95	357	65,5	286,5	40,5	75,5	20 000	10,4
HSX 20105 F	G51-200-0-01723	105	360	65,5	296,0	40,5	82,5	20 000	10,6
HSX 20110 F	G51-200-0-00729	110	362	65,5	296,5	40,5	85,5	20 000	10,9
HSX 20115 F	G51-200-0-01129	115	360	65,5	298,5	40,5	87,5	20 000	11,1
HSX 20120 F	G51-200-0-00829	120	363	65,5	301,5	40,5	90,5	20 000	11,3
HSX 20130 F	G51-200-0-01029	130	367	65,5	314,0	40,5	95,0	20 000	12,4
HSX 20135 F	G51-200-0-01335	135	369	65,5	316,0	40,5	97,0	20 000	12,8
HSX 20145 F	G51-200-0-01635	145	377	65,5	333,0	40,5	105,0	20 000	13,7

Ratschenkopf <i>Ratchet head</i>	Wechseleinsatz <i>Exchangeable insert</i>	Code Nr. <i>Code no.</i>	SW (mm) A/F (mm)
HSX 20065 F	HX 20065 H 65 M	F93-094-9-06502	65
HSX 20075 F	HX 20075 H 50 M	F93-102-9-05011	50
	HX 20075 H 55 M	F93-102-9-05511	55
	HX 20075 H 65 M	F93-102-9-06511	65
	HX 20075 H 70 M	F93-102-9-07011	70
	HX 20075 H 75 M	F93-102-9-07511	75
HSX 20080 F	HX 20080 H 75 M	F93-108-9-07509	75
	HX 20080 H 77 M	F93-108-9-07709	77
	HX 20080 H 80 M	F93-108-9-08009	80
HSX 20095 F	HX 20095 H 80 M	F93-126-9-08009	80
	HX 20095 H 85 M	F93-126-9-08509	85
	HX 20095 H 90 M	F93-126-9-09009	90
	HX 20095 H 95 M	F93-126-9-09509	95
HSX 20105 F	HX 20105 H 105 M	F93-092-9-10523	105
HSX 20110 F	HX 20110 H 110 M	F93-097-9-11010	110
HSX 20115 F	HX 20115 H 115 M	F93-098-9-11505	115
HSX 20120 F	HX 20120 H 120 M	F93-102-9-12030	120
HSX 20130 F	HX 20130 H 130 M	F93-110-9-13010	130
HSX 20135 F	HX 20135 H 135 M	F93-113-9-13500	135
HSX 20145 F	HX 20145 H 145 M	F93-122-9-14500	145

Ratschenkopf <i>Ratchet head</i>	Code Nr. <i>Code no.</i>	SW A/F <i>(mm/")</i>	L1 <i>(mm)</i>	B <i>(mm)</i>	H <i>(mm)</i>	Z <i>(mm)</i>	R <i>(mm)</i>	MT _{max} <i>(Nm)</i>	Gewicht <i>Weight</i> <i>(kg)</i>
HSX 20065 F	G51-200-0-00227	2 1/2"	347	65,5	270,0	40,5	59,0	13 000	9,7
HSX 20075 F	G51-200-0-00327	2 15/16"	354	65,5	272,5	40,5	61,5	14 000	9,9
HSX 20080 F	G51-200-0-01327	3 1/8"	355	65,5	276,0	40,5	65,0	15 500	10,0
HSX 20090 F	G51-200-0-00427	3 1/2"	357	65,5	281,5	40,5	70,5	16 000	10,1
HSX 20095 F	G51-200-0-00527	3 5/8"	357	65,5	286,5	40,5	75,5	20 000	10,4
HSX 20105 F	auf Anfrage/on request	4 1/8"	360	65,5	296,0	40,5	82,5	20 000	10,6
HSX 20110 F	auf Anfrage/on request	4 5/16"	362	65,5	296,5	40,5	85,5	20 000	10,9
HSX 20120 F	auf Anfrage/on request	4 5/8"	363	65,5	301,5	40,5	90,5	20 000	11,3
HSX 20130 F	auf Anfrage/on request	5 1/16"	367	65,5	314,0	40,5	95,0	20 000	12,4
HSX 20135 F	auf Anfrage/on request	5 1/4"	369	65,5	316,0	40,5	97,0	20 000	12,8
HSX 20145 F	auf Anfrage/on request	5 3/8"	377	65,5	333,0	40,5	105,0	20 000	13,7
<hr/>									
HSX 20065 W	G51-200-0-00624	max. 65	354	65,5	272,5	40,5	61,5	14 000	11,0
HSX 20085 W	G51-200-0-00224	max. 85	357	65,5	286,5	40,5	75,5	20 000	11,1
HSX 20095 W	G51-200-0-00329	max. 95	360	65,5	296,0	40,5	85,0	20 000	11,3
HSX 20105 W	G51-200-0-01624	max. 105	360	65,5	298,5	40,5	87,5	20 000	11,6
HSX 20115 W	G51-200-0-01130	max. 115	364	65,5	302,5	40,5	91,5	20 000	11,9
HSX 20120 W	auf Anfrage/on request	max. 120	367	65,5	314,0	40,5	95,0	20 000	12,4
HSX 20135 W	auf Anfrage/on request	max. 135	377	65,5	333,0	40,5	105,0	20 000	12,9
<hr/>									
HSX 20065 W	G51-200-0-00624	max. 2 1/2"	354	65,5	272,5	40,5	61,5	14 000	11,0
HSX 20085 W	G51-200-0-00224	max. 3 5/16"	357	65,5	286,5	40,5	75,5	20 000	11,1
HSX 20095 W	G51-200-0-00329	max. 3 5/8"	360	65,5	296,0	40,5	85,0	20 000	11,3
HSX 20105 W	G51-200-0-01624	max. 4 1/8"	360	65,5	298,5	40,5	87,5	20 000	11,6
HSX 20115 W	G51-200-0-01130	max. 4 1/2"	364	65,5	302,5	40,5	91,5	20 000	11,9
HSX 20120 W	auf Anfrage/on request	max. 4 5/8"	367	65,5	314,0	40,5	95,0	20 000	12,4
HSX 20135 W	auf Anfrage/on request	max. 5 5/8"	377	65,5	333,0	40,5	105,0	20 000	12,9

Ratschenkopf <i>Ratchet head</i>	Wechseleinsatz <i>Exchangeable insert</i>	Code Nr. <i>Code no.</i>	SW (mm) A/F (mm)
HSX 20095 W	HXW 20095 H 65 M	F93-122-9-06523	65
	HXW 20095 H 75 M	F93-122-9-07523	75
	HXW 20095 H 85 M	F93-122-9-08523	85
	HXW 20095 H 95 M	F93-122-9-09523	95
HSX 20105 W	HXW 20105 H 75 M	F93-132-9-07501	75
	HXW 20105 H 77 M	F93-132-9-07701	77
	HXW 20105 H 80 M	F93-132-9-08001	80
	HXW 20105 H 85 M	F93-132-9-08501	85
	HXW 20105 H 90 M	F93-132-9-09001	90
	HXW 20105 H 95 M	F93-132-9-09501	95
	HXW 20105 H 100 M	F93-132-9-10001	100
	HXW 20105 H 105 M	F93-132-9-10501	105
HSX 20115 W	HXW 20115 H 109 M	F93-144-9-10906	109
	HXW 20115 H 110 M	F93-144-9-11008	110
	HXW 20115 H 115 M	F93-144-9-11508	115
HSX 20120 W	HXW 20120 H 105 M	F93-150-9-10501	105
	HXW 20120 H 110 M	F93-150-9-11001	110
	HXW 20120 H 115 M	F93-150-9-11501	115
	HXW 20120 H 120 M	F93-150-9-12001	120



SX - 30

Antriebseinheit Drive unit	Code Nr. Code no.	Leistungsbereich Performance range (Nm)	B2 (mm)	Gewicht Weight (kg)
SX - 30 TST	G52-300-0-00114	3 000 - 30 000 Nm	102,5 mm	8,7 kg

Ratschenkopf Ratchet head	Code Nr. Code no.	SW (mm) A/F (mm)	L1 (mm)	B (mm)	H (mm)	Z (mm)	R (mm)	MT _{max} (Nm)	Gewicht Weight (kg)
HSX 30095 F	G51-300-0-00821	95	379,5	77	302,5	57	77,0	30 000	16,6
HSX 30115 F	G51-300-0-00122	115	379,5	77	318,0	57	92,5	30 000	17,2
HSX 30130 F	G51-300-0-00224	130	388,5	77	327,5	57	99,5	30 000	17,8
HSX 30145 F	G51-300-0-00724	145	405,0	77	350,0	57	112,0	30 000	18,4

Ratschenkopf Ratchet head	Sechskanteinsatz Hexagon key insert	Code Nr. Code no.	SW (mm) A/F (mm)
HSX 30115 F	HX 30115 H 115 M	F93-101-9-11500	115
HSX 30130 F	HX 30130 H 130 M	F93-112-9-13033	130
HSX 30145 F	HX 30145 H 145 M	F93-125-9-14500	145

Ratschenkopf Ratchet head	Code Nr. Code no.	SW (mm/") A/F (mm/")	L1 (mm)	B (mm)	H (mm)	Z (mm)	R (mm)	MT _{max} (Nm)	Gewicht Weight (kg)
HSX 30095 F	G51-300-0-00822	3 ³ / ₄ "	379,5	77	302,5	57	77,0	30 000	16,6
HSX 30100 F	auf Anfrage/on request	3 ⁷ / ₈ "	379,5	77	318,0	57	92,5	30 000	16,8
HSX 30115 F	G51-300-0-00124	4 ¹ / ₂ "	379,5	77	318,0	57	92,5	30 000	17,2
HSX 30130 F	G51-300-0-00225	5"	388,5	77	327,5	57	99,5	30 000	17,8
HSX 30145 F	G51-300-0-01422	5 ⁵ / ₈ "	405,0	77	350,0	57	112,0	30 000	18,4
HSX 30115 W	G51-300-0-00522	max. 115	388,5	77	327,5	57	99,5	30 000	17,5
HSX 30130 W	G51-300-0-00622	max. 130	405,0	77	350,0	57	112,0	30 000	18,3
HSX 30115 W	G51-300-0-00522	max. 4 ¹ / ₂ "	388,5	77	327,5	57	99,5	30 000	17,5
HSX 30130 W	G51-300-0-00622	max. 5"	405,0	77	350,0	57	112,0	30 000	18,3

Ratschenkopf Ratchet head	Sechskanteinsatz Hexagon key insert	Code Nr. Code no.	SW (mm) A/F (mm)
HSX 30115 W	HXW 30115 H 80 M	F93-147-9-08000	80
	HXW 30115 H 95 M	F93-147-9-09500	95
	HXW 30115 H 105 M	F93-147-9-10500	105
	HXW 30115 H 110 M	F93-147-9-11000	110
	HXW 30115 H 115 M	F93-147-9-11500	115
HSX 30130 W	HXW 30130 H 130 M	F93-166-9-13003	130

SX - 45

Antriebseinheit <i>Drive unit</i>	Code Nr. <i>Code no.</i>	Leistungsbereich <i>Performance range</i> (Nm)	B2 (mm)	Gewicht <i>Weight</i> (kg)
SX - 45 TST	G52-450-0-00114	4 500 - 45 000	111	13,0

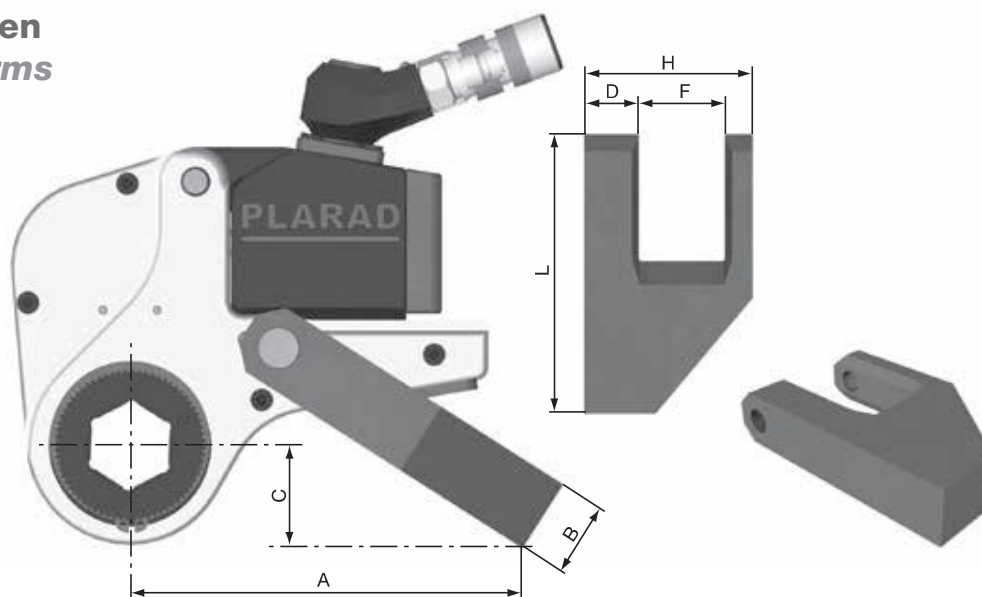
Ratschenkopf <i>Ratchet head</i>	Code Nr. <i>Code no.</i>	SW (mm) <i>A/F (mm)</i>	L1 (mm)	B (mm)	H (mm)	Z (mm)	R (mm)	MT _{max} (Nm)	Gewicht <i>Weight</i> (kg)
HSX 45120 F	G51-450-0-00621	120	393,5	86	334,5	47	96,0	45 000	19,9
HSX 45135 F	G51-450-0-00525	135	401,0	86	356,0	47	109,0	45 000	21,1
HSX 45155 F	G51-450-0-00221	155	426,0	86	376,0	47	119,0	45 000	22,0
HSX 45165 F	G51-450-0-00521	165	429,5	86	379,5	47	122,5	45 000	23,0
HSX 45185 F	G51-450-0-00822	185	453,5	86	400,5	47	132,5	45 000	24,2

Ratschenkopf <i>Ratchet head</i>	Sechskanteinsatz <i>Hexagon key insert</i>	Code Nr. <i>Code no.</i>	SW (mm) <i>A/F (mm)</i>
HSX 45120 F	HX 45120 H 120 M	F93-128-9-12000	120
HSX 45135 F	HX 45135 H 135 M	F93-142-9-13510	135
HSX 45155 F	HX 45155 H 155 M	F93-160-9-15502	155
HSX 45165 F	HX 45165 H 165 M	F93-168-9-16500	165
HSX 45185 F	HX 45155 H 155 M	F93-186-9-18500	185

Ratschenkopf <i>Ratchet head</i>	Code Nr. <i>Code no.</i>	SW (mm/") <i>A/F (mm/")</i>	L1 (mm)	B (mm)	H (mm)	Z (mm)	R (mm)	MT _{max} (Nm)	Gewicht <i>Weight</i> (kg)
HSX 45120 F	auf Anfrage/on request	4 ⁵ / ₈ "	393,5	86	334,5	47	96,0	45 000	19,9
HSX 45155 F	auf Anfrage/on request	5 ³ / ₄ "	426,0	86	376,0	47	119,0	45 000	22,0
HSX 45185 F	auf Anfrage/on request	7 ¹ / ₄ "	453,5	86	400,5	47	132,5	45 000	24,2
HSX 45115 W	G51-450-0-00431	115	401,0	86	356,0	47	109,0	45 000	21,1
HSX 45115 W	G51-450-0-00431	4 ¹ / ₂ "	401,0	86	356,0	47	109,0	45 000	21,1
HSX 45145 W	G51-450-0-00131	max. 145	429,5	86	379,5	47	122,5	45 000	23,8
HSX 45145 W	G51-450-0-00131	max. 5 ³ / ₈ "	429,5	86	379,5	47	122,5	45 000	23,8

Ratschenkopf <i>Ratchet head</i>	Sechskanteinsatz <i>Hexagon key insert</i>	Code Nr. <i>Code no.</i>	SW (mm) <i>A/F (mm)</i>
HSX 45115 W	HXW 45115 H 90 M	F93-152-9-09010	90
	HXW 45115 H 95 M	F93-152-9-09510	95
	HXW 45115 H 100 M	F93-152-9-10010	100
	HXW 45115 H 105 M	F93-152-9-10510	105
	HXW 45115 H 110 M	F93-152-9-11010	110
HSX 45145 W	HXW 45145 H 100 M	F93-186-9-10010	100
	HXW 45145 H 105 M	F93-186-9-10510	105
	HXW 45145 H 110 M	F93-186-9-11010	110
	HXW 45145 H 115 M	F93-186-9-11510	115
	HXW 45145 H 120 M	F93-186-9-12010	120
	HXW 45145 H 125 M	F93-186-9-12510	125
	HXW 45145 H 130 M	F93-186-9-13010	130
	HXW 45145 H 135 M	F93-186-9-13510	135
	HXW 45145 H 135 M	F93-186-9-13811	135
	HXW 45145 H 140 M	F93-186-9-14010	140
	HXW 45145 H 145 M	F93-186-9-14510	145
	HXW 45145 H 145 M	F93-186-9-14520	145
	HXW 45145 H 145 M	F93-186-9-14530	145
	HXW 45145 H 500	F93-186-9-50011	5"
	HXW 45145 H 525	F93-186-9-52511	5 ¹ / ₄ "
HXW 45145 H 538	F93-186-9-53811	5 ³ / ₈ "	
HXW 45145 H 95 M	F93-186-9-09510	185	

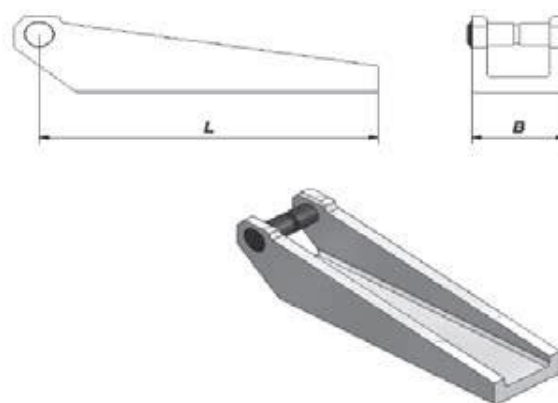
Abstützungen Reaction arms



Abstützung Reaction arm	Code Nr. Code no.	A	B	C	D	F	H	L	Gewicht Weight (kg)
		(mm)	(mm)	(mm)	(mm)	(mm)	(mm)	(mm)	
HSX 1 .. AR	B51-010-1-00120	134,0	20,0	23,0	20,0	32,5	60,5	115,0	0,45
HSX 2 .. AR	B51-025-1-00800	174,0	30,0	52,0	29,0	40,0	79,0	160,0	0,75
HSX 5 .. AR	B51-050-1-01201	192,0	35,0	36,0	29,5	50,0	97,5	162,0	1,40
HSX 8 .. AR	B51-080-1-00101	242,0	42,5	59,0	63,0	48,0	131,0	220,0	2,30
HSX 12 .. AR	B51-120-1-00100	334,0	49,5	83,0	31,5	54,1	108,0	300,0	3,20
HSX 20 .. AR	B51-200-1-00100	282,0	55,0	50,0	60,0	65,7	145,5	230,0	4,10
HSX 30 .. AR	B51-300-1-00100	335,0	65,0	47,0	70,0	77,5	172,5	282,5	5,60
HSX 45 .. AR	B51-450-1-00100	372,0	85,0	72,6	80,0	86,5	211,5	335,0	11,50

Abstützverlängerung Reaction extension

Verlängerung Extension	Code Nr. Code no.	L	B
		(mm)	(mm)
HSX 1**	B51-010-1-03820	125	58,0
HSX 2**	B51-025-1-03710	120	60,0
HSX 5**	B51-050-1-07310	184	66,0
HSX 8**	auf Anfrage/on request	180	70,0
HSX 12***	B51-120-1-01710	205	75,5
HSX 20***	B51-200-1-00910	250	90,0
HSX 30***	B51-300-1-01100	225	117,5
HSX 45***	B51-450-1-00310	310	146,5



In-Out-Nüsse In-out sockets



In-Out-Nüsse sind in allen Abmaßen und Schlüsselweiten erhältlich.
In-out sockets are available in all sizes and dimensions.