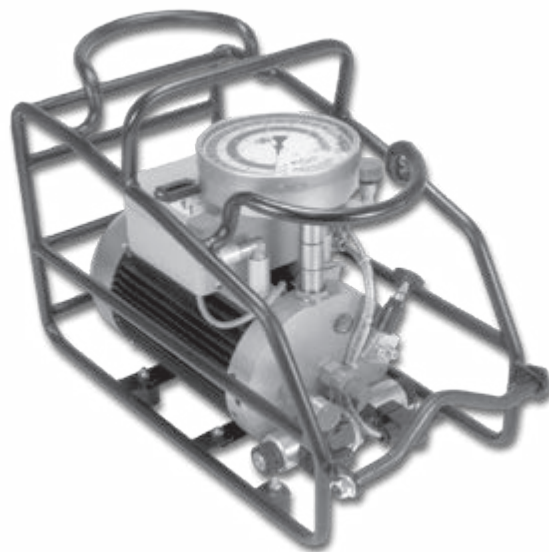


Hydraulische Drehmomentschrauber HPR *Hydraulic Torque Wrenches HPR*



+ CTK 3.5 EFS

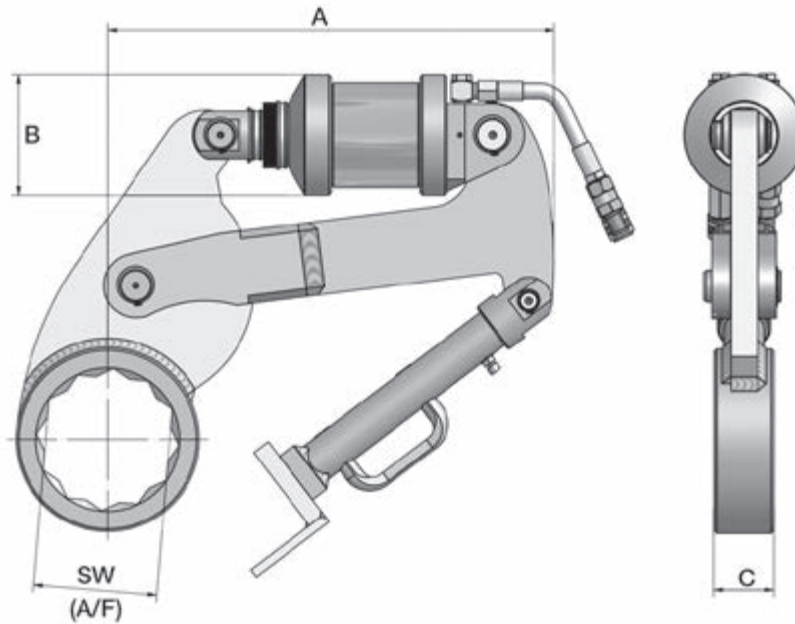


Technische Daten, metrisch/
Technical data, metric

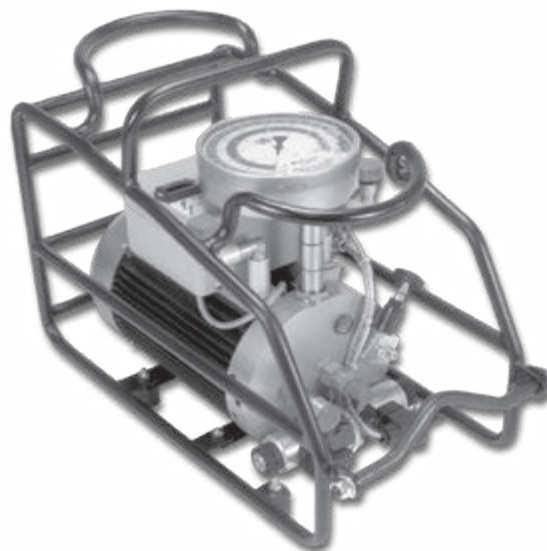
PLARAD[®]
Torque & Tension Systems



HPR



Antriebseinheit <i>Drive units</i>	Drehmomentbereich <i>Torque range</i>	SW max.	A/F max.	A	B	C	Gewicht <i>Weight</i>
RE 500	5.000 - 50.000 Nm	185 mm	7 1/4"	550 mm	132 mm	550 mm	34 kg
RE 1000	10.000 - 100.000 Nm	230 mm	9 1/8"	600 mm	180 mm	600 mm	45 kg
RE 1500	15.000 - 150.000 Nm	320 mm	12"	825 mm	320 mm	560 mm	76 kg

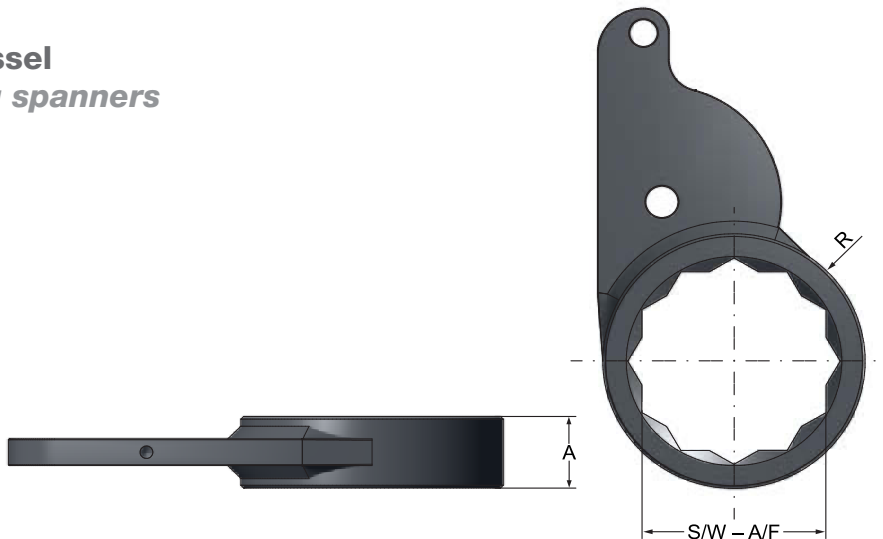


CTK 3.5 EFS

Typ <i>Type</i>	Betriebsart <i>Operation mode</i>	Förderstufen <i>Flow stages</i>	Abmessungen L x B x H <i>Dimensions</i> l x w x h (mm)	Gewicht <i>Weight</i> (kg)	Betriebsdruck <i>Operating pressure</i> max. (bar)	Antrieb <i>Drive</i>	Antriebsleistung <i>Nominal power</i> (kW)	Fördervolumen <i>Flow rate</i> (l/min)
CTK 3,5-EFS	manuell <i>manual</i>	1	500 x 343 x 465	35	350	elektrisch Drehstrom <i>electrical three phase current</i> 3 AC 400 V, 50 Hz	2,2	3,5

Ringschlüssel

Ring spanners



RE 500

Code Nr. Code no.	S/W A/F (mm)	R (mm)	A (mm)	Mt max. Max. capacity (Nm)
F94-007-8-100.00	100	78,5	50	35.000
F94-007-8-105.00	105	81,5	55	40.000
F94-007-8-110.00	110	84,5	55	42.500
F94-007-8-115.00	115	88	60	50.000
F94-007-8-120.00	120	91	60	50.000
F94-007-8-125.00	125	94	65	50.000
F94-007-8-130.00	130	97,5	65	50.000
F94-007-8-135.00	135	100,5	65	50.000
F94-007-8-140.00	140	103,5	70	50.000
F94-007-8-145.00	145	106,5	70	50.000
F94-007-8-150.00	150	110	70	50.000
F94-007-8-155.00	155	113	75	50.000
F94-007-8-160.00	160	116	75	50.000
F94-007-8-165.00	165	119	80	50.000
F94-007-8-170.00	170	122,5	80	50.000
F94-007-8-175.00	175	125,5	80	50.000
F94-007-8-180.00	180	128,5	100	50.000
F94-007-8-185.00	185	131,5	105	50.000

Zwischengrößen auf Anfrage/Intermediate sizes on request

RE 500

Code Nr. Code no.	S/W A/F (Zoll / inch)	R (mm)	A (mm)	Mt max. Max. capacity (Nm)
F94-007-8-102.05	4"	79,5	50	35.000
F94-007-8-105.00	4.1/8"	81,5	55	40.000
F94-007-8-106.05	4.3/16"	82	55	40.000
F94-007-8-108.05	4.1/4"	83,5	55	42.500
F94-007-8-111.05	4.3/8"	85	60	50.000
F94-007-8-114.05	4.1/2"	87	60	50.000
F94-007-8-118.05	4.5/8"	90	60	50.000
F94-007-8-121.05	4.3/4"	91,5	60	50.000
F94-007-8-124.05	4.7/8"	93,5	65	50.000
F94-007-8-127.05	5"	95	65	50.000
F94-007-8-130.05	5.1/8"	97	65	50.000
F94-007-8-132.05	5.3/16"	98,5	65	50.000
F94-007-8-133.05	5.1/4"	99	65	50.000
F94-007-8-137.05	5.3/8"	101,5	70	50.000
F94-007-8-140.05	5.1/2"	103,5	70	50.000
F94-007-8-141.05	5.9/16"	104	70	50.000
F94-007-8-146.05	5.3/4"	107	70	50.000
F94-007-8-149.05	5.7/8"	109	70	50.000
F94-007-8-152.05	6"	111	75	50.000
F94-007-8-156.05	6.1/8"	113,5	75	50.000
F94-007-8-159.05	6.1/4"	115	75	50.000
F94-007-8-162.05	6.3/8"	117	80	50.000
F94-007-8-165.00	6.1/2"	119	80	50.000
F94-007-8-172.05	6.3/4"	123,5	80	50.000
F94-007-8-175.05	6.7/8"	125	80	50.000
F94-007-8-178.05	7"	125	100	50.000
F94-007-8-181.05	7.1/8"	129	100	50.000
F94-007-8-184.05	7.1/4"	131	105	50.000

Zwischengrößen auf Anfrage/Intermediate sizes on request

RE 1000

Code Nr. Code no.	S/W A/F (mm)	R (mm)	A (mm)	Mt max. Max. capacity (Nm)
F94-008-8-145.00	145	110,5	70	82.000
F94-008-8-150.00	150	114	70	84.500
F94-008-8-155.00	155	119	75	95.000
F94-008-8-160.00	160	120	75	98.000
F94-008-8-165.00	165	123	75	100.000
F94-008-8-170.00	170	126,5	80	100.000
F94-008-8-175.00	175	129,5	80	100.000
F94-008-8-180.00	180	132,5	100	100.000
F94-008-8-185.00	185	135,5	105	100.000
F94-008-8-190.00	190	139	105	100.000
F94-008-8-195.00	195	142	110	100.000
F94-008-8-200.00	200	145	110	100.000
F94-008-8-205.00	205	148	115	100.000
F94-008-8-210.00	210	151,5	115	100.000
F94-008-8-215.00	215	154,5	120	100.000
F94-008-8-220.00	220	157,5	120	100.000
F94-008-8-225.00	225	160,5	125	100.000
F94-008-8-230.00	230	164	125	100.000

RE 1000

Code Nr. Code no.	S/W A/F (Zoll / inch)	R (mm)	A (mm)	Mt max. Max. capacity (Nm)
F94-008-8-146.05	5.3/4"	111	70	82.000
F94-008-8-149.05	5.7/8"	113	70	84.500
F94-008-8-152.05	6"	115	75	93.000
F94-008-8-156.05	6.1/8"	117,5	75	97.000
F94-008-8-159.05	6.1/4"	119	75	97.000
F94-008-8-162.05	6.3/8"	121	75	99.000
F94-008-8-165.00	6.1/2"	123	75	100.000
F94-008-8-172.05	6.3/4"	127,5	80	100.000
F94-008-8-175.05	6.7/8"	129	80	100.000
F94-008-8-178.05	7"	131	100	100.000
F94-008-8-181.05	7.1/8"	133	100	100.000
F94-008-8-184.05	7.1/4"	135	105	100.000
F94-008-8-186.05	7.5/16"	136	105	100.000
F94-008-8-191.05	7.1/2"	139	105	100.000
F94-008-8-194.05	7.5/8"	141	110	100.000
F94-008-8-198.05	7.13/16"	144	110	100.000
F94-008-8-213.05	8.3/8"	153	120	100.000
F94-008-8-225.05	8.7/8"	161	125	100.000
F94-008-8-232.05	9.1/8"	165	125	100.000

Zwischengrößen auf Anfrage/Intermediate sizes on request

RE 1500

Code Nr. Code no.	S/W A/F (mm)	R (mm)	A (mm)	Mt max. Max. capacity (Nm)
F94-017-8-180.00	180	135,5	100	150.000
F94-017-8-190.00	190	142	110	150.000
F94-017-8-200.00	200	148	110	150.000
F94-017-8-210.00	210	154	120	150.000
F94-017-8-220.00	220	160,5	120	150.000
F94-017-8-230.00	230	167,5	130	150.000
F94-017-8-240.00	240	173	130	150.000
F94-017-8-250.00	250	180	140	150.000
F94-017-8-260.00	260	185,5	140	150.000
F94-017-8-270.00	270	192	150	150.000
F94-017-8-280.00	280	198	150	150.000
F94-017-8-290.00	290	205	150	150.000
F94-017-8-300.00	300	210,5	150	150.000

RE 1500

Code Nr. Code no.	S/W A/F (Zoll / inch)	R (mm)	A (mm)	Mt max. Max. capacity (Nm)
F94-017-8-181.05	7.1/8"	136	100	150.000
F94-017-8-184.05	7.1/4"	138	110	150.000
F94-017-8-186.05	7.5/16"	139	110	150.000
F94-017-8-191.05	7.1/2"	142	110	150.000
F94-017-8-194.05	7.5/8"	144	110	150.000
F94-017-8-198.05	7.13/16"	147	110	150.000
F94-017-8-213.05	8.3/8"	156	120	150.000
F94-017-8-225.05	8.7/8"	164	120	150.000
F94-017-8-232.05	9.1/8"	168	130	150.000
F94-017-8-240.05	9.7/16"	173	130	150.000
F94-017-8-254.05	10"	182	140	150.000
F94-017-8-267.05	10.1/2"	190	140	150.000
F94-017-8-279.05	11"	197	150	150.000
F94-017-8-292.05	11.1/2"	206	150	150.000
F94-017-8-305.05	12"	214	150	150.000

Zwischengrößen auf Anfrage/Intermediate sizes on request



... a successful
connection!

Maschinenfabrik Wagner GmbH & Co. KG
Birrenbachshöhe · 53804 Much · Germany

Tel. national: (02245) 62-0
Fax national: (02245) 62-66
Phone international: +49 (0)2245 62-10
Fax international: +49 (0)2245 62-22

info@plarad.com · www.plarad.com

Nachdruck und Kopie, auch auszugsweise, nur mit vorheriger schriftlicher Genehmigung. Änderungen vorbehalten. Für Druck- und Informationsfehler übernehmen wir keine Verantwortung. / Reproduction and copying of this volume, in whole or in part, is permissible only with express written permission. Subject to amendment. We take no responsibility for printing errors or inaccurate information.
Stand/Version: 04/2014 · EK 10387 - 188 DE/EN