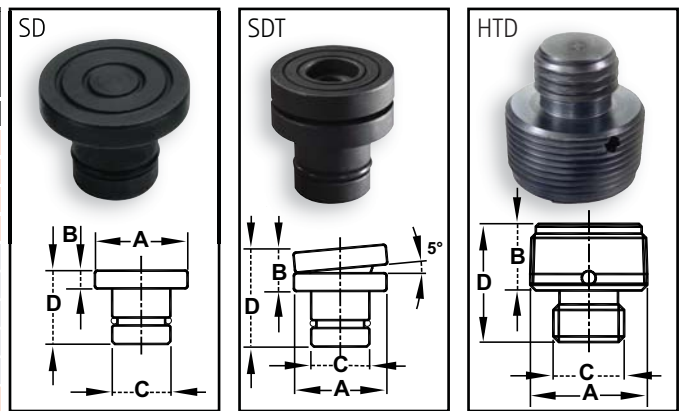


Cylinder Accessories

Saddle

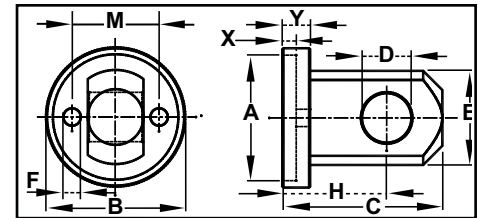
Model Number	Saddle Type	For use with Cylinder Capacity Ton	Dimension (mm)			
			A	B	C	D
SD05	Grooved	5	25	6	17	20
SD10		10	35	6	22	27
SD15		15	38	7	22	30
SD25		25	50	7	36	29
SDT05	Tilt	5	25	17	17	31
SDT10		10	35	16	22	37
SDT15		15	38	19	22	40
SDT25		25	50	19	36	40
SDT55		50/75/100	70	33	70	33
HTD10	Threaded	10	1 1/4"-11 1/2NPTF	26	1"-8UNC	45



Clevis

Model Number	Clevis Type	For use with Cylinder Capacity Ton	Dimension (mm)											
			A	B	C	D	E	F	G	H	M	X	Y	Z
CEP05	Plunger	5	3/4"-16UNF	29	57	16	16	14	-	25.5	-	-	-	-
CEP10		10 + 15	1"-8UNC	43	84	22	19	25	-	39.7	-	-	-	-
CEP25		25	1 1/2"-16	57	97	32	22	38	-	42.8	-	-	-	-
CEB05	Base	5	38.6	44	54	16	29	6.5	-	38.0	26	6.4	12.7	-
CEB10		10	58.0	63	73	22	43	8.2	-	47.6	38	6.4	12.7	-
CEB15		15	70.4	76	73	22	43	9.7	-	47.6	48	6.4	12.7	-
CEB25		25	86.2	95	86	32	57	14.3	-	54.0	58	6.4	12.7	-
CP10*	Plunger & Base	only HP1006	M30x2	75	160	30	95	35	65	128	-	-	-	27

CEB 15-Base

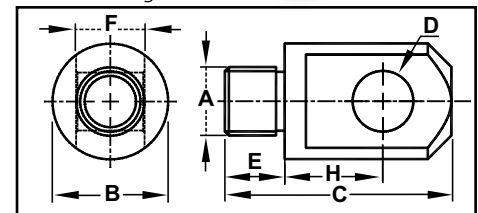


CEB-15



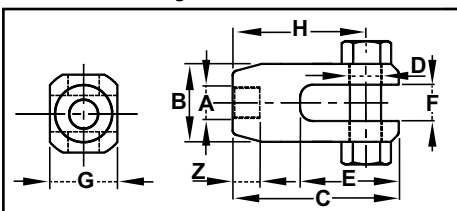
CEP-15

CEP 15-Plunger



* 2-pc set with an adaptor

CP10-Clevis Plunger & Base



CP-10

Hydraulic Oil

Model Number	Volume	Oil Type	Viscosity	For Pump
	(liter)			
HV155	5	Hydro HV15	15	Hand / Air
HV685	5	Hydro HV68	68	Electric



Base

CB10



Model Number	For use with Cylinder Capacity Ton	Dimension (mm)			
		A	B	C	D
CB05	5	8	118	200	39
CB10	10	10	120	230	58
CB15	15	12	122	254	70
CB25	25	16	126	280	87

