

Pump Mounted Manifold Block

CMR2



Remote Mounted Valves

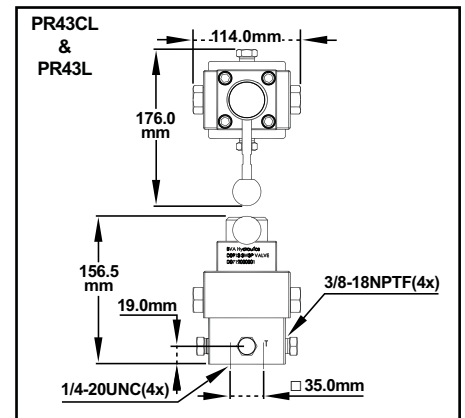
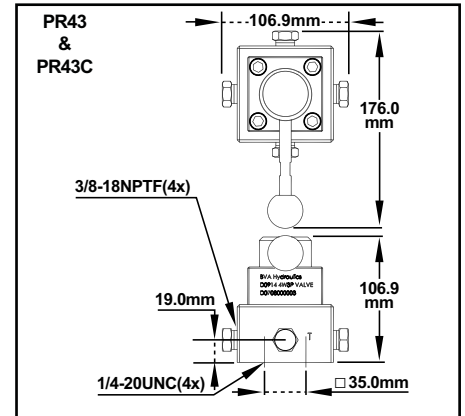
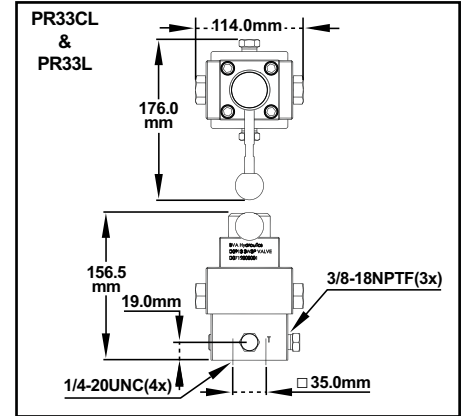
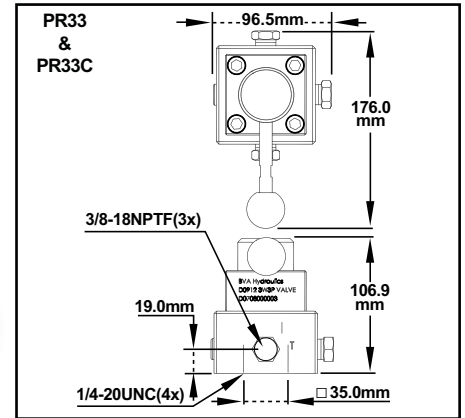
PR33



PR43C



PR43L



Valve Operation	Valve Type	Use With Cylinder	Model Number	Hydraulic Symbol	Schematic Flow path			Weight (kg)
Manual	3-way, 3 position, Tandem center	Single Acting	PR33					1.6
	3-way, 3 position, Closed center		PR33C					1.6
	3-way, 3 position, Tandem center, Locking		PR33L					2.6
	3-way, 3 position, Closed center, Locking		PR33CL					2.6
	4-Way, 3 position, Tandem center	Double Acting	PR43					1.6
	4-Way, 3 position, Closed center		PR43C					1.6
	4-Way, 3 position, Tandem center Locking		PR43L					2.6
	4-way, 3 position, Closed center, Locking		PR43CL					2.6

Cylinder Accessories

Saddle



Hose



Gauge



Base

